

ISSN 2694-5606 (online)

ISSN 2694-5460 (print)



# GOLDI American Journal of Innovation, Development and Investment

مجلة دولية محكمة

## Issued from USA

Global Universal Innovations Inc.  
Development. Investment  
Chairman

**DR. IBRAHEM ALYASEN**

***NINTH ISSUE - VOL 3***

***May 2022***



[www.goidi-usa.org](http://www.goidi-usa.org)



## **INDEX**

<b>➤ Topics</b>	<b>page</b>
➤ <b>Administrative Board</b>	<b>3</b>
➤ <b>Editorial Board</b>	<b>4</b>
➤ <b>Inventions Jury</b>	<b>5</b>
➤ <b>General Definition</b>	<b>6</b>
➤ <b>President</b>	<b>8</b>
➤ <b>Definition Of The journal</b>	<b>10</b>
➤ <b>Publishing Rules</b>	<b>15</b>
➤ <b>Goidi International Group Of Institutions</b>	<b>23</b>
➤ <b>Goidi Programs And Services</b>	<b>30</b>
➤ <b>International Scientific Personalities</b>	<b>31</b>
➤ <b>Program Of Global Organization</b>	<b>48</b>
➤ <b>American Goidi Medal</b>	<b>55</b>
➤ <b>Inventions</b>	<b>57</b>
➤ <b>Review Article –</b>	<b>47</b>



رقم الصفحة	العنوان	الاسم	رقم
57	Educational Device For Checking Electronic Components	Inventor Abdulrahman Hamdi	1.
63	Preparation Of A New Culture Medium To Stimulate Increased Production Of Staphylokinase Produced From Staphylococcus Aureus By Using Acridine Orange(AO).	Nebras Rada Mohammed AL-Turath University College	2.
68	Lighting And Heating By Reflection	Inventor Issam Hamdi	3.
81	مهددات الطفولة في ظل عصر العولمة	ا.م. د بلقيس عبد حسين / العراق	4.
86	العولمة ودورها في تغيير أنظمة الحكم اليوم وغداً	الأستاذة الدكتورة ضحى عادل محمود العاني في اختصاص/علم النفس التربوي	5.
88	الابتزاز الالكتروني في عصر العولمة	ا. د.مها عادل محمود/العراق كلية طب الاسنان/ جامعة بغداد	6.
95	تمكين المرأة... الفرص والتحديات	الدكتورة :- مريم هاشم حمد البديري / العراق التخصص/ دكتوراه في العلوم التربوية والنفسية مكان العمل / كلية الامام الكاظم (ع) فرع واسط	7.



## ADMINISTRATIVE BOARD

### **DR. IBRAHIM ALYASEEN**

**P**RESIDENT

of The American GOIDI Organization

**CHAIRMAN**

of The Board of Directors of GOIDI Journal

JORDAN



### **Dr.Nebras Rada Mohammed**

**Managing Editor**

PHD. Molecular genetics/ Genetic engineering/ Protein engineering

Masters / Molecular Biology / Microbiology

Nationality / Iraqi





## Editorial Board

**Dr. Meraj Ahmad Meraj Al-Nadwi**  
Modern Arabic literature (prose)  
Indian  
[merajjnu@gmail.com](mailto:merajjnu@gmail.com)

**Dr. Jeanine Ziadé Abou-Tacca**  
Psychologist - Psychotherapist - Specialised in civil and canonical law  
Lebanese  
[jeanineaboutacca@hotmail.com](mailto:jeanineaboutacca@hotmail.com)

**Youness es salhi**  
special law  
Marocco  
[Youness\\_prin\\_hdh@hotmail.fr](mailto:Youness_prin_hdh@hotmail.fr)

**Name/ Reham saadaldin Alsayed Radwan**  
Job/ legal advisor, attorney parent and trademark  
Researcher doctorate in international law  
Nationality/ Egypt  
[protect4patent.org@gmail.com](mailto:protect4patent.org@gmail.com)

**Mahmoud Galal Yehia**  
PhD in Mechanical Power Engineering  
R&D Mgr.  
Egyptian  
[mgy@gyehia-inventions.com](mailto:mgy@gyehia-inventions.com)

**Amine Elgheryeni,**  
Maitre Assistant, Université de Gabès.  
[elgheryeniamine@yahoo.fr](mailto:elgheryeniamine@yahoo.fr)  
Tunisie



**GOIDI AMERICAN JOURNAL**



لجنة تحكيم الاختراعات الدولية

**Inventions Jury**

رئيسا	الولايات المتحدة الأمريكية	سعادة الدكتور إبراهيم الياسين
عضوا	مصر	د.زكي عبد اللطيف
عضوا	تونس	د.أمين الغرباني
عضوا	France	Jean Jacques

**GOIDI**



**GOIDI AMERICAN JOURNAL**



## General Definition

**GOIDI** U.S Magazine Considers As One Of The International Authority Of Inventions, Development And Investment's Institutions And Issued From America With All The Rights And Privileges.

GOIDI Is A Scientific, Cultural And Educational For All Thinkers, Academics, Inventors, Writers And Students For All Nationalities Worldwide.

The Magazine Is Published In English And Arabic Languages And Issued Online And On Papers Every Three Months Periodically During The Year (Presenting Invention's Pioneers As Well As Global And Social Figures)

**This is official notification that the following ISSN assignment(s) have been made under the auspices of the U.S. ISSN Center at the Library of Congress.**

- GOIDI American journal of inventions, development & investment (Online) ISSN 2694-5606
- GOIDI American journal of inventions, development & investment (Print) ISSN 2694-5460
- <https://portal.issn.org/resource/ISSN/2694-5606>
- <https://portal.issn.org/resource/ISSN/2694-5460>
- ISSN 2694-5606 (Online) | GOIDI American journal of inventions, development & investment | The ISSN Portal <https://portal.issn.org/resource/ISSN/2694-5606>



# GOIDI AMERICAN JOURNAL



- ISSN-L 2694-5460 | Title of cluster (medium version) GOIDI American journal of inventions, development & investment | The ISSN Portal <https://portal.issn.org/resource/ISSN-L/2694-5460>

The screenshot displays the ISSN Portal interface. At the top, there are logos for ISSN International Centre and ISSN Portal, along with a 'FREE ACCESS' button and icons for a globe and a building. Below the logos is a navigation bar with tabs: PUBLISHERS' AREA, DISCOVER ISSN SERVICES, SEARCH OPEN ACCESS RESOURCES, KEEPERS REGISTRY, and ISSN INTERNATIONAL CENTER. The main content area shows a search result for ISSN-L 2694-5460. The record view is divided into several sections: 'Identifiers' (ISSN: 2694-5460, Linking ISSN (ISSN-L): 2694-5460), 'Links' (URLs for www.goidi-usa.o..., Google, Bing, and Yahoo), 'Resource information' (Title proper: GOIDI American journal of inventions, development & investment, Country: United States, Medium: Print), and 'Record information' (Last modification date: 07/11/2020, Type of record: Confirmed, ISSN Center responsible of the record: ISSN National Centre for the USA). On the right side, there is a 'My Tools' section with buttons for Share, Print, and Display linked data, and a red button for 'Unlock functions'. The footer contains links for GTU, Licence, Contact, Newsletter, FAQ, Data sources, and ISSN © 2020, along with social media icons for Facebook, Twitter, and ISSN.





**GOIDI AMERICAN JOURNAL**



## **PRESIDENT**

### *The Word Of The Founder*

*President of GOIDI International Group*

*for Invention, Development and Investment*

*Chairman of Board of Directors*

*General Director*



### **DR. IBRAHIM YASEEN**

Nowadays, we face an enormous number of sciences, institutions and no limitation of their ubiquitous. The diverse kinds of knowledge and science have various steadily and very huge. There is no longer a shortage of science or its institutions, but the information has become easily accessible by the simplest means by communication device. Thus, we are overwhelmed by science, but what we are introducing in our journal and what we are looking for that is the kind in its literal, scientific and technical meaning and the ways to benefit from millions of information, which has become a burden on the competent researcher individuals and institutions to obtain academic and theoretical science,.

This is the reason we had to publish this unique journal in its kind internationally and in the mechanism of its presentation and method of submission and the quality of its competent sections and the confidence of its institutions organizing them.



**GOIDI AMERICAN JOURNAL**



Highest international standards to save that effort, time and money. This decision

came after study and access to the international field, and we found a large space needs to work to fill the gaps and provide all useful and thoughtful to an important sector and vital dynamic that is the main engine of human life all and contributes to its growth and prosperity and development, which is the field of invention, innovation and creativity.

Therefore, we have the desire to allocate an institution to adopt this vision in order to complete this high-importance sector because of the presence of a large proportion of science owners working in the sector of creativity, innovation and invention need to focus on them and their work to promote and publicize them internationally.

We have also been keen to highlight the role of investors and businessmen to support this work and these creative projects, so that they will be partners with us in this scientific journey, which will reflect positively on communities, individuals and institutions. All industrial, productive, service, scientific and administrative competence find all his aim will be achieve.

This work facilitates his mission in spreading his knowledge and presenting it to local and international specialists.

Institutions, individuals and groups, thus we will creating a systematic scientific environment. Its data has been verified at the highest international level by well-known jury committees, and we have maintained integrity and transparency in



## GOIDI AMERICAN JOURNAL



feeding all fields with real, internationally valued science from many relevant parties.

In conclusion, we save time, effort and money for every truth-seeking and aspirant to develop his projects, institutions and works, hoping to be successful in providing all that contributes to the comprehensive development in life aspects.

# GOIDI



## **DEFINITION OF THE JOURNAL**

### **Vision**

To become a journal for the inventors, innovators, creator and academic researchers and their sciences, and the bridge of global transit with the least effort, time, costs and a point of contact with investors, businessmen and all institutions with competence in this important sector.

### **The message**

Provide the appropriate environment for inventors, innovators, creators, businessmen or research and scientific institutions so that they meet in one place and one platform to see their interests and projects until their research touches the decision-makers and interested from local and international institutions, universities and scientific research centers and incubators to provide them with science and projects achieved internationally to the highest approved standards.

### **Objectives**

- To define the role of our organizations in driving the vehicle of international invention.
- To define of the most important international programs to be held.
- To define scientific identity to inventors.
- To introduce investors and entrepreneurs.
- To introduce the most important international institutions in the invention sector.



**GOIDI AMERICAN JOURNAL**



- To introduce international scientific research institutions and scientific incubators.
- To provide international programs for international exhibitions and scientific competitions.
- To Disseminate of inventions in all scientific sectors.
- Marketing the most important international inventions for interests from all international initiations.
- To Participate in spreading a culture of innovation and motivate it among young people.
- To Participate in transferring information in a scientific, systematic and academic manner.
- To Show the most important inventions and solutions to various life problems.
- To communicate and build practical relationships among formal instantiations ,international and inventors.

### **Definition of The Institution**

GOIDI American Journal for Invention, Development and Investment is one of the institutions of GOIDI American group of Invention, Development and Investment

It is an international non-profit, non-governmental organization that is based in the United States



**GOIDI AMERICAN JOURNAL**



The journal is a scientific cultural development awareness's to publish all scientific articles and publish inventions and definition inventors, innovators and creators from all countries of the world and all nationalities away from politics or religion and expresses the opinion of publishers.

### **Journal Definitions**

It is one of the branches of the International Commission for Invention, Development and Investment (GOIDI) and is officially registered in the United States

### **Journal Categories**

- Inventors, businessmen, investors, invention and scientific research institutions

### **Definitions**

- The journal is published internationally
- Editorial team from all countries
- The journal will be published from the official US headquarters
- Two electronic versions and one hard copy are issued
- Published in Arabic and English language.
- Distributed in all international conferences and sent to the most important international private and governmental institutions



## **The Idea of Establishment**

### **Founder /Dr.Ibrahim Alyaseen**

The idea of the founder comes complemented the programs and institutions of the US GOIDI and business integration and cover various aspects of life important and compatibility with the programs of the organization

Where there is a need for the community for a specialized and public journal in the same time and that it is specializes researchers, academics, inventors and creators from all countries and in order to highlight the leading international personalities and highlight the pioneers of invention and international personalities that serve the

International community and show them to the community in appreciation of them and definition international society to the most important businessmen who are interested in supporting the process of scientific research and the introduction of the institutions of invention and scientific research to introduce the identity card for the GOIDI American international group and all their international programs.

### **International Protocols**

The possibility of establishing cooperation and twinning protocols with universities, scientific research institutions and international institutions to form strategic partnerships in support of the journal scientifically to contain the equivalent of prominent international journals.



**GOIDI AMERICAN JOURNAL**



## Publication policies, rules and procedures in the journal

### First: Publishing Policy

GOIDI Journal for Humanitarian Researches publishes researches written in both Arabic and English languages in different fields of human sciences. The journal accepts research from various countries of the world that would develop human sciences, enrich their practices, and provide priority to scientific research. In order to offer scientific and practical solutions to the problems faced by educational and scientific institutions.

Register The Journal Internationally

Goidi magazine is registered in the US Congressional Library of the Standard Numbers of the ISSN and registered with the International Organization for International Standards for ISNs.

### Second: Publishing Rules In The Journal

- 1- The journal publishes scientific researches and articles that must be original and new, not previously published in other journals. periodicals, conferences, seminars It can be extracted from an academic thesis (Master's, Ph.D., Higher Diploma, or Graduation Project).
- 2- . Commitment to the etiquette of meaningful dialogue and constructive criticism away from defamation.
- 3- The journal publishes research that follows the scientific methodology, and takes into account the order in writing the research (title of the research, abstract, keywords, introduction, problem, importance, objectives, methodology and procedures, results and their discussion, conclusions, recommendations directed to bodies related to the topic of the research, List of references or sources).





- 4- 3- The journal publishes researches and articles that consider the depth of analysis, the quality of the research language, the method of presenting ideas, the accuracy of data and information analysis, and the relevance of the final results to the research questions, objectives and hypotheses.
- 5- The researchers should follow the scientific principles in quoting texts and documenting from various Arabic and English sources and references, taking into account the conformity of the documentation of the sources and references in the text with their presentation at the end of the research, and their alphabetical arrangement
- 6- The scientific integrity must be followed in the process of documentation and collecting complete data and information about the source to ensure the credibility and integrity of the research.
- 7- The first page of the research should contain the title of the research, the name of the researcher or triple researchers, his academic rank, place of work and name of countries, and the e-mail, in font size (12).
- 8- The researcher should attach an accurate summary of his research in both Arabic and English, with no more than (300) words, and key words at the bottom of the two abstracts, with no more than seven words.
- 9- The researcher should follow the APA documentation method, which is the American Psychological Association, meaning the margins are written in the body of the research as follows: Example:  
  
Genghis Khan was able to impose his control over large areas of the Islamic East (Al-Ta'i, 2015, p. 30). That is, the documentation is as follows:  
  
The author's family name, year of publication, page or pages, and this is done in parentheses such as: (Al-Jubouri, 1989, p. 27), if two authors write: (Al-Jubouri, Al-Taie, 1978, p. 77), if more than three writes: (Al-Jubouri and others, 1990, p. 66)



10-The sources are written in the list of sources at the end of the research in the following form: family name, personal name. Year of Publication. Book title, location, publishing and distribution house.

As in the following examples

Al-Taie, Souad Hadi. (2015). Studies in the history of the Turks and the Mongols. Adnan House for Publishing and Distribution, Iraq.

Pasha, Hussein. (1959). medieval Islamic Photography. Arab Manifesto Committee Press, Cairo.

11- The research texts should be printed in (Word 2010) at least, in (Simplified Arabic) font size (14), and the research papers in the English language should be printed in (Times New Roman) font (12).

12- All the dimensions of the margins of the four pages (top, bottom, right, left) should be (3) cm, and the space between the lines should be single.

13- The number of search pages for (20) pages, including sources and appendices, and that the pages are numbered sequentially. To increase the number of pages, communicate with the magazine's administration.

14- That the tables and figures be listed in their correct places, taking into account their numbering using Arabic numerals, and that they include titles and the necessary explanatory data, and the size of the font inside the table (12).

### **Third: Procedures for publishing in the journal:**

1- That the researcher sends his research electronically to the journal titles advertised by the journal's editorial board.

2- That the researcher sends a brief CV that includes the full name of the researcher (s), his academic degree, the scientific institution in which he works, his most important books, and the positions he / she occupied.



- 3- The researcher shall be notified of receipt of the research within a week of the date of receiving the research by the editorial secretary, and it shall be presented to the editorial board to ensure its suitability for arbitration.
- 4- In the event that the research is eligible for arbitration in principle, it is presented to arbitrators who are specialized in the field of research, and they are selected in complete confidentiality, and the name or data of the researcher are not presented to them, in order to express their views on the extent of the research's originality, its scientific value, and the extent of the researcher's commitment to sound scientific methodology. And determining the validity of the research for publication in the journal or not.
- 5- In the event that observations are received from the arbitrators, those observations shall be sent to the researcher to make the necessary amendments accordingly, provided that the amended research shall be resubmitted to the journal within a maximum period of one month.
- 6- The final copy of the research is reviewed with the referee's copy technically to ensure that the researcher makes the amendments and corrections proposed by the arbitrator, as well as follows the rules and procedures for publishing in the journal, by the editor-in-chief and the editorial secretary to confirm the validity of the research for publication in the journal.
- 7- The researcher shall be notified of the decision whether or not a research is valid for publication within a month at most from the date of receiving the revised research, the date of publication, and the number of the issue in which the research will be published, and he shall be given an electronic copy of the number of the journal published in it.
- 8- Scientific research published in the journal expresses the opinions of the authors without the journal bearing any responsibility for that.
- 9- The costs of publishing in the journal are a grant for distinguished researchers.



## قواعد النشر / publishing rules

### أولاً: سياسة النشر

تنشر مجلة جويدي GOIDI البحوث المكتوبة باللغتين العربية والانجليزية في أي مجال في مختلف التخصصات ، وترحب المجلة بنشر البحوث العلمية للباحثين من مختلف دول العالم، التي من شأنها أن تعمل على تطوير العلوم الانسانية، وإثراء ممارساتها، وتعطي الأولوية للبحوث العلمية التي تقدم اضافة علمية للمعرفة الانسانية، والتي تقدم الحلول العلمية والعملية للمشكلات التي تواجهها المؤسسات التعليمية والعلمية.

### ثانياً: قواعد النشر في المجلة

1- تنشر المجلة البحوث التي تتميز بالحدثة والأصالة، والاضافة العلمية، والسلامة الفكرية، في مجال العلوم الانسانية.

2- تنشر المجلة البحوث التي تتبع منهجية علمية سليمة، وتراعي الترتيب في كتابة البحث (عنوان البحث، المستخلص، الكلمات المفتاحية، المقدمة، المشكلة، الأهمية، الأهداف، المنهجية والإجراءات، النتائج ومناقشتها، الاستنتاجات، التوصيات الموجهة إلى الجهات ذات العلاقة بموضوع البحث، قائمة المراجع أو المصادر).

3- تنشر المجلة البحوث التي تتميز بعمق التحليل، وجودة لغة البحث، وأسلوب عرض الأفكار، ودقة تحليل البيانات والمعلومات، وملائمة النتائج النهائية لأسئلة البحث وأهدافه وفرضياته.

4- أن لا يكون البحث المقدم للنشر قد قدم للنشر أو نشر في مجلات أو دوريات أو مؤتمرات أو ندوات ، ويقدم الباحث تعهد خطي بذلك حسب النموذج المعتمد من هيئة التحرير .



5- أن يتبع الباحث الأسس العلمية السليمة المتعارف عليها في اقتباس النصوص والتوثيق من المصادر والمراجع العربية والانجليزية المتنوعة، مع مراعاة تطابق توثيق المصادر والمراجع في المتن مع عرضها في نهاية البحث، وترتيبها ابجدياً.

6- يجب اتباع الأمانة العلمية في عملية التوثيق وجمع البيانات والمعلومات كاملة عن المصدر لضمان مصداقية البحث وأمانته.

7- أن تحتوى الصفحة الأولى من البحث على عنوان البحث، وأسم الباحث أو الباحثين الثلاثي، ومرتبته العلمية، ومكان العمل واسم الدول، والبريد الإلكتروني، بحجم خط (12).

8- أن يرفق الباحث ملخص دقيق لبحثه باللغتين العربية والانجليزية بما لا يزيد عن (300) كلمة، وكلمات مفتاحية (Keywords) أسفل الملخصين بما لا يزيد عن سبع كلمات.

9- أن يتبع الباحث طريقة توثيق APA وهي (American psychological Association)

اي تكتب الهوامش في متن البحث بالشكل الاتي :مثال:

تمكن جنكيزخان من فرض سيطرته على مناطق واسعة من المشرق الاسلامي(الطائي، 2015،ص30).

اي يكون التوثيق بالشكل الاتي :

اسم عائلة المؤلف، سنة النشر، الصفحة أو الصفحات، ويتم ذلك بين قوسين مثل: (الجبوري، 1989، ص27) ،إذا كان مؤلفان يكتب : (الجبوري، الطائي، 1978، ص77)، إذا كان أكثر من ثلاثة يكتب: (الجبوري وآخرون، 1990، ص66)

10- تكتب المصادر في قائمة المصادر في نهاية البحث بالشكل الاتي : الأسم العائلي، الأسم الشخصي. سنة النشر. عنوان الكتاب، المكان، دار النشر والتوزيع .



كما في الامثلة الاتية

الطائي، سعاد هادي.(2015). دراسات في تاريخ الترك والمغول . دار عدنان للنشر والتوزيع، العراق.

Pasha, Hussein. (1959). medieval Islamic Photography. Arab Manifesto  
.Committee Press, Cairo.

11- أن تكون نصوص البحث مطبوعة برنامج (Word 2010) على الأقل، بخط نوع ( Simplified Arabic ) حجم ( 14 )، والبحوث باللغة الانجليزية تطبع بخط نوع (Times New Roman) حجم (12) .

12- أن تكون جميع أبعاد هوامش الصفحات الأربعة (العليا، السفلى، اليمنى، اليسرى) (3) سم، والمسافة بين الأسطر مفردة.

13- أن لا تزيد عدد صفحات البحث عن (20) صفحة، بما فيها المصادر، والملاحق، وأن ترقم الصفحات ترقيم متسلسل.

14- أن تكون الجداول والأشكال مدرجة في أماكنها الصحيحة، ومراعاة ترقيمها باستخدام الأرقام العربية، وأن تشمل العناوين والبيانات الايضاحية الضرورية، ويكون حجم الخط داخل الجدول (12).

## ثالثاً: إجراءات النشر في المجلة:

- 1- أن يرسل الباحث بحثه الكترونياً إلى عناوين المجلة المعلن عنها من هيئة تحرير المجلة.
- 2- أن يرسل الباحث سيرة ذاتية موجزة تتضمن الاسم الثلاثي للباحث / الباحثين ودرجته العلمية، والمؤسسة العلمية التي يعمل بها، وأهم مؤلفاته، والمناصب التي شغلها.
- 3- يتم اشعار الباحث باستلام البحث خلال أسبوع من تاريخ استلام البحث من قبل سكرتير التحرير، والعرض على هيئة التحرير للتأكد من مدى صلاحيته للتحكيم.



4- في حالة صلاحية البحث للتحكيم مبدئيًا يتم عرضه على محكمين من ذوي الاختصاص في مجال البحث، ويتم اختيارهم بسرية تامة، ولا يعرض عليهم اسم الباحث أو بياناته، وذلك لإبداء آرائهم حول مدى أصالة البحث، وقيمته العلمية، ومدى التزام الباحث بالمنهجية العلمية السليمة، وتحديد مدى صلاحية البحث للنشر في المجلة من عدمها.

5- في حالة ورود ملاحظات من المحكمين ترسل تلك الملاحظات إلى الباحث لإجراء التعديلات اللازمة بموجبها، على أن يعاد إرسال البحث المعدل للمجلة خلال مدة أقصاها شهر.

6- تتم مراجعة النسخة النهائية للبحث مع نسخة المحكم فنيًا للتأكد من قيام الباحث بإجراء التعديلات والتصويبات المقترحة من المحكم، وكذلك اتباعه قواعد واجراءات النشر في المجلة، من قبل مدير التحرير وسكرتير التحرير لإقرار صلاحية البحث للنشر بالمجلة.

7- يخطر الباحث بقرار صلاحية بحثه للنشر من عدمها خلال شهر على الأكثر من تاريخ استلام البحث المعدل، وبموعد النشر، ورقم العدد الذي سينشر فيه البحث، ويمنح نسخة الكترونية من عدد المجلة المنشور فيها.

8- تعبر الأبحاث العلمية التي تنشر في المجلة عن آراء المؤلفين دون تحمل المجلة أدنى مسؤولية تجاه ذلك.

9- تكاليف النشر في المجلة منحة للباحثين المتميزين.

[WWW.GOIDI-USA.ORG](http://WWW.GOIDI-USA.ORG)

<http://goidi-usa.org/journal>

[JOURNAL@GOIDI-USA.ORG](mailto:JOURNAL@GOIDI-USA.ORG)

نشر المقالات : ترسل جميع المراسلات إلى ايميل رئيس التحرير

[HJ.EDITOR@GOIDI-USA.ORG](mailto:HJ.EDITOR@GOIDI-USA.ORG)

أو على الرقم (العلاقات العامة): WhatsApp: 00962798812398



# GOIDI AMERICAN JOURNAL



## GOIDI INTERNATIONAL GROUP OF INSTITUTIONS

### AMERICAN GOIDI GROUP

<b>2- International Centre of Women Entrepreneurs ( I C W E )</b>
<b>3- International Centre of Recognised Investment ( I C R I )</b>
<b>4-International Training Leaders Center (ITLC )</b>
<b>5- International Centre of Young Entrepreneurs ( I C Y E )</b>
<b>6- International Centre of Strategic Research ( I C S R )</b>
<b>7- Centre of Creativity &amp; Innovation For Smart Minds ( C C I S M )</b>
<b>8- Everest International of Invention ( E I I )</b>







**GOIDI AMERICAN JOURNAL**



## **EVEREST INTERNATIONAL OF INVENTION /E I I**

Creativity, Innovation Invention



## **I**NTRODUCTION

**Everest** works on international programs specifically for young people, students, inventors and innovators, Creators and all that works to highlight the role of women and work to develop, and evaluate Arab and foreign countries and accept members from all countries of the world

It also called for the rejection of racism, everyone in science, regardless of religion, color, race or nationality

And culminated in efforts to open channels of international communication and embodied this through the establishment of conferences and speeches and competitions International inventors and from all countries and the establishment of international youth camps for cultural exchange and exchange Of experience

Everest also insists on renouncing violence, extremism, terrorism and filling the vacuum among young people through training programs Cultural and international issues

Everest aspires to excellence and innovation in all its operations, non-imitation of others and the provision of every program with a new perspective



**GOIDI AMERICAN JOURNAL**



Everest is a non-profit organization for innovation, invention and innovation

It is officially one of institutions of GOIDI based in –USA

Founder and Rapporteur Of All Institutions and Initiatives

Headed by

**Dr. Ibrahim Al Yassin,**

**Chairman of The Board Of Directors**

### **Visions**

The organization becomes the platform and container that embraces and concerns inventors, innovators and innovators specifically

Students and young people with all their aspirations and educational programs and interest in international University education and meet under Its umbrella is all the institutions of invention, innovation, creativity, scientific institutions, students and

Youth to find Land and a fertile environment to exercise their attention and catch up with global development

### **Our Mission**

Create an educated community of inventors, innovators and innovators from all segments of society, intellectually strengthened, Science and knowledge and awareness of the comprehensive and within the framework of scientific planning and prepared away for confusion and non-methodology And randomized and blinded thought and thought and participates in providing the community with the process of construction, development and development



This is being promoted through training, capacity-building, workshops, regular scientific conferences and awareness seminars and to encourage and adopt means of luxury to fill the void with targeted community activities

**The most important goals of Everest -**

Highlighting the role of youth and inventors internationally and demonstrating their abilities

Marketing their inventions and introducing their scientific identity

Reduce the gap between them and the investment sector and build bridges between them and the international institutions concerned By invention

Provide guidance and assistance in the registration of international patents

Supporting women and highlighting their role internationally through international forums

Working side by side with businessmen to overcome financial difficulties

**General Strategic Objectives**

Comprehensive education (scientific, social, cultural, political, religious and health)

Marketing inventions and innovations

Establishing training programs that promote the concept of invention, innovation and creativity

Establishing scientific conferences

Organizing competitions and international exhibitions

Bridging the gap between investors and inventors and bringing distances closer to the latest scientific methods

Supporting communities with inventions that help solve international problems

Introducing inventions and inventors in all possible ways



**GOIDI AMERICAN JOURNAL**



Issuing an international magazine to publish all inventions internationally

Develop capacity and training to adapt the labor market and support students with the best vocational courses required in

Local and international markets and strengthening them with the best certificates in the world market

Supporting scientific research and opening doors for innovation and creativity for qualified students and helping them to develop their abilities

Through scientific communication locally and internationally

To reach women to a high level and to change the society's negative attitude toward them

### **Programs offered by Everest**

Establishment of international exhibitions of inventors

Set up international competitions for inventors

Establish training programs for inventors

The establishment of various international conferences

Establishment of conferences and women's forums

Setting up programs for youth (camp camps, competitions, contests)

Setting up sports programs for young people

Establishing various training programs

Marketing inventions

Publishing inventions and introducing inventors in the International Journal of Inventors

Publish research in international refereed journals

Submit international certificates



### **Business and services received by Everest**

1. Establishing international protocols with all governmental, private and non-profit organizations locally and internationally
2. Membership and membership
3. Request for the establishment of international branches
4. Cooperation in the establishment of training programs
5. Cooperation in the establishment of international conferences and exhibitions
6. Sponsorship of international programs

### **International Arbitration Committees**

Everest has nominated an international jury to work with them to evaluate inventions in international competitions and exhibitions.

### **Certificates and Credits**

Everest has worked to promote the concept of the international community through the provision of international certificates and credit High-level live up to its owner and supports the practical file and facilitate the acceptance of interested donors, supporters, Investors, research and University institutions and others

### **Management**

**Everest** is a member of the international management team, including members, representatives, administrators and consultants from all Arab countries And foreigners with higher academic degrees from University professors and heads of institutions and



**GOIDI AMERICAN JOURNAL**



People distinguished experts and specialists in various fields of science and international excellence





## GOIDI PROGRAMS AND SERVICES

1. خدمات الاختراع والابتكار
2. خدمات ريادة الاعمال
3. اقامة المؤتمرات العلمية والاجتماعية
4. اقامة معارض الاختراع والابتكار
5. خدمات تسجيل براءات الاختراع والملكية الفكرية
6. خدمات الاستثمار والتسويق للاختراعات
7. اقامة برامج التدريب الاحترافية
8. نشر الأبحاث في المجلات الدولية
9. اقامة برامج ومؤتمرات للمرأة
10. اقامة برامج الشباب المتعددة
11. اقامة مؤتمرات وبرامج للبحوث الاستراتيجية
12. اقامة برامج للموهوبين الصغار
13. اقامة الندوات العلمية الهادفة
14. تقديم شهادات الاعتمادات الدولية لخبراء التدريب ومؤسسات التدريب من بريطانيا
15. تقديم شهادات باعتماد GOIDI الأمريكية
16. خدمات التحكيم الدولي
17. إدارة البحث العلمي والاستراتيجي
18. استقبال الشركات الدولية مؤسسات و افراد
19. استقبال الراغبين بالراعيات
20. استقبال الراغبين بالتبرع ودعم المنظمة للبرامج العلمية والاختراعات
21. برامج العضوية الدولية المتعددة من كافة المؤسسات

## International scientific personalities



د. ليث محمود محمد العزاوي

### التحصيل الدراسي:

- حاصل على شهادة جامعة بغداد – مركز البحوث النفسية - الدراسات العليا للموهوبين الخاصة في العلوم النفسية والباراسايكولوجية, للمدة من آب 2003 حتى تشرين الثاني 2004 في مجالات العلوم النفسية (الذكاء والشخصية), والباراسايكولوجية في قدرات الادراك فوق الحسي الخاصة (بالتخاطر, والجلء البصري والاستشفاف, والادراك المسبق (الادراك المعرفي المسبق) من خلال اختبارات علمية عديدة بإشراف اساتذة باحثين ومتخصصين , حيث تخرجت بتاريخ 8 تشرين الثاني لسنة 2006 كمتخصص باراسايكولوجي واعتراف علمي رسمي بامتلاكه قدرات الادراك فوق الحسي , وعلى ضوء ذلك ممكن تقديم خدمات علمية للمؤسسات العلمية والاجتماعية والاقتصادية ومنظمات المجتمع المدني.
- حاصل على شهادة المعهد العالي الأسترالي لعلم الباراسايكولوجي (AIPR INC.) للدراسات العليا في جامعة أديلايد الأسترالية – كلية علم النفس في سنة 2011 (اختصاص في علم الباراسايكولوجي), حيث اجريت الدراسة لمدة ثلاثة سنوات 2009 - 2011





The University of Adelaide / School of Psychology ( Australia)

**الدرجة العلمية:** تم منحي من خلال برنامج للدراسات العليا من الجمعية النفسية الأمريكية

American Psychological Association program

درجة دكتوراه مهنية بصفة دكتور نفسي ممارس (Psy.D.) في سنة 2014

Doctor of Psychology (Psy.D.) (practice in psychology)

**التخصص العلمي:** Parapsychologist and Psychologist

**المهنة:** خبير دولي باراسايكولوجي ونفسي

**التصنيف الدولي:** عالم مستقل Freelance Scientist <https://orcid.org/0000-0002-1244->

[8836](https://orcid.org/0000-0002-1244-)

يمتاز بعلامة فارقة (شخصية فوق حسية / خارقة) بالفطرة , تم اقرارها من خلال المؤتمر العلمي القطري الرابع والسنوي الثالث عشر في العلوم النفسية بتاريخ 22-23 كانون الاول لسنة 2004 والذي تم فيه مناقشة البحث العلمي المشترك بعنوان (التخاطر لدى شاب عراقي) الصادر من مركز البحوث النفسية - جامعة بغداد , بتاريخ تشرين الاول لسنة 2004.

**الوظيفة:** العلاقة بين علم الباراسايكولوجي Parapsychology والنشاط الرياضي هي علاقة متبادلة ذات تأثير في اتجاه تنمية النشاط الذهني والحركي للرياضي , لذلك عملت كخبير باراسايكولوجي ونفسي لمدة خمسة عشر عام في اللجنة الأولمبية الوطنية العراقية وفي الأكاديمية الأولمبية العراقية في الحركة الرياضية , وذلك لغرض توظيف هذا العلم في المجال الرياضي لتحقيق الوصول الى الإنجاز العالي للرياضيين في المنافسات المحلية والدولية , حيث أعمل على تطوير وزيادة نشاط كفاءة الرياضيين للقدرات الذهنية والنفسية والعصبية والبدنية وتشخيص نقاط القوة والضعف لديهم من خلال عمل التشخيص والتحليل للعوامل النفسية والعصبية والذهنية والبدنية النوعية لدرجات (التركيز الذهني العميق, الطاقة الحركية, القلق الشعوري, التوتر العصبي) عن طريق استخدامي قدرات الإدراك فوق الحسي

EXTRASENSORY PERCEPTIN (ESP) لطاقة psi من خلال تشخيص وتحليل اشكال الهالة الموجية لمتغيراتهم المذكورة اعلاه , من الممكن بعد ذلك تقوية نقاط الضعف وتطوير نقاط القوة باستخدام موازنة الطاقة والأساليب النفسية , يساعد ذلك في تقليل الإصابات الرياضية وخسائر الفريق في المنافسات ، لفحص الوضع الحالي وبالتالي المستقبل القريب للاعبين بناءً على المشكلات التي تؤثر عليهم وفهم سلوك الفوز والخسارة في الرياضة. هذه هي القضايا التي لا يكتشفها المدربون والمتخصصون في العلوم الرياضية باستخدام مناهج التدريب القياسية.

أيضا تشخيص ما يرتبط بحالة المنافس المقابل الأنوية والمستقبلية في الأداء الرياضي والنفسي والتي هي غير منظورة من الجانب المعنوي للمدربين والرياضيين , حيث أقوم بتقويم ذلك في المعايضة الميدانية للفرق الرياضية أثناء التدريب والمنافسة وذلك للاطلاع على حالة ومستقبلية الرياضي من المشاكل التي يعاني منها في المتغيرات المذكورة اعلاه , وتعتبر هذه المتغيرات هي الأساس للمزاج العالي والوطني التي من خلالها يتفاعل الرياضي مع البيئة والمجتمع من حوله والتي تؤثر على سلوكه الفردي من الناحية البيولوجية والنفسية والفسولوجية والعصبية والذهنية عند متطلبات تحقيق أنجازه العالي في المنافسات الرياضية. يعد هذا أول تجربة علمية نوعية عالميا من البحوث التجريبية النفسية والباراسايكولوجية باستخدام قدرات الادراك فوق الحسي في مجال التخصص الرياضي.

## الترشيحات الى الجوائز العالمية:

- تم ترشيحي من الاكاديمية الاولمبية العراقية والمجموعة الدولية للرياضة والطاقة والوعي (SEC) الى جائزة محمد بن راشد آل مكتوم للإبداع الرياضي لسنة 2017 لفئة الابداع الرياضي الفردي للابتكارات والانتاج العلمي , حيث قدمت مشروع علمي رائد حول تطبيقات قدرات الادراك فوق الحسي في الرياضة , ولكن لم تعلن مجلس امانة الجائزة اعلاه عن فئة الابتكارات الرياضية والانتاج العلمي في ذلك الوقت.
- في سنة 2019 تم ترشيحي من الاكاديمية الاولمبية العراقية ومن مستشفى سبولدنج لإعادة التأهيل – كلية الطب هارفرد الى جائزة الاتحاد الدولي للعلوم النفسية (IUPsyS) Achievement Against the Odds Award 2020 جائزة تحقيق الانجاز بالرغم وجود



الصعاب .. Spaulding Rehabilitation Hospital a teaching hospital of Harvard Medical School in Boston MA (USA) ومن المؤمل ان يتم اعلان النتائج في فصل الصيف لسنة 2021 بأذن الله تعالى.

## النشاطات المحلية:

- حضرت وشاركت في بحث علمي المعنون " التخاطر لدى شاب عراقي " في المؤتمر العلمي القطري الرابع والسني الثالث عشر في العلوم النفسية والذي تم عقده للفترة من 22 – 23 كانون الاول لسنة 2004 في مركز البحوث النفسية – جامعة بغداد – الجادرية على قاعة المرحوم الدكتور علي الوردي.
- تم تسجيل عملي المعنون " تطبيق تجربة قدرات psi في الرياضة " (ملكية فكرية علمية) في وزارة الثقافة العراقية / المركز الوطني لحماية حق المؤلف والحقوق المجاورة , الموثقة برقم تسجيل 282 / ع الذي تأريخه في 24 / كانون الاول / 2014 , وحسب كتابهم المرقم 1 بتاريخ 4/ كانون الثاني / 2015 , ومصدقة من وزارة الخارجية العراقية برقم 12367 بتاريخ 25/ آب / 2015 , وقد تم تسجيله ايضا في المنظمة العالمية للملكية الفكرية WIPO والتي هي وكالة في الامم المتحدة تضم الاختراعات والاكتشافات والابتكارات الفريدة من نوعها , عدد اعضاء تلك المنظمة اكثر من (192) دولة حاليا , حيث ان العراق هو احد اعضاء تلك المنظمة رسميا منذ عام 1976 ولغاية الان.

## النشاطات الدولية:

- ادارة ايفريست الممثلة برئيسها التنفيذي ورئيس مجلس الادارة الدكتور ابراهيم الياسين



يسعدنا ان نتقدم بأحر التهاني للدكتور ليث محمود العزاوي بإبتكاره نظرية "أهمية تطبيقات قدرات الإدراك فوق الحسي في الرياضة" بكلية الطب جامعة هارفرد الامريكه بوسطن.

<https://www.facebook.com/GOIDIORG/posts/2061319850579982>

- أعلنت المنظمة العالمية للملكية الفكرية (WIPO) بالأمم المتحدة عن اختيار الدكتور ليث محمود محمد العزاوي خبير دولي في مجال الطاقة الحيوية والمجال الرياضي من خلال استخدامه قدرات الادراك فوق الحسي في العمل , والذي هو من ضمن مجموعة خبراء دوليين في (WIPO GREEN) أعلنت عن أسمائهم رسمياً تزامناً مع اليوم العالمي للصناعة والاعمال المصادف 2017/11/10، وذلك للاستفادة من خبراته بتقديم الاستشارات العلمية في مجال الطاقة الحيوية المستدامة لتحسين المناخ والبيئة <https://www3.wipo.int/wipogreen-expertsdatabase/searchResult> , ويذكر أن المنظمة العالمية للملكية الفكرية (WIPO) أنشأت في عام 2013 ال (WIPO GREEN) ليكون سوقاً تفاعلي يربط بين التكنولوجيا ومقدمي الخدمات بمن يبحث عن حلول مبتكرة صديقة للبيئة، وهي بذلك تساعد ليس فقط على تسريع الابتكار ونشر التكنولوجيا الخضراء بل تسهم أيضا بمساعدة الدول النامية بالتصدي للتغيير المناخي الحاصل في أجواء الكرة الأرضية.

- بتاريخ 1 / شباط / 2017 تم اختيار الدكتور ليث محمود محمد العزاوي عضو في اللجنة العلمية بدرجة عالم في المجموعة الدولية للرياضة والطاقة والوعي The Sports, Energy, and Consciousness Group (SEC) <http://sportsenergygroup.com/sec> والتي تتكون من علماء اعصاب , بيولوجي , رياضة , نفسانيين , فسيولوجي , فيزيائيين , ونخب من القادة المدربين والرياضيين من الطراز العالمي. مهمة المجموعة الدولية هو تسريع التطور العالمي للوعي البشري من خلال توفير الممارسات التحويلية التي تترجم حكمة الرياضة "حالة الأداء المثالي" في أساليب التدريب العملي التي تشمل الطاقة الحيوية، وحالة اليقظة من الوعي (التركيز المتقدم) ، وتوحيد الجسم والعقل والروح المعنوية.



- تم حضوري ومشاركتي في المؤتمر العلمي التاسع لهيئة الاختبار الدولية (ITC) في مدينة سان سيباستيان - اسبانيا للفترة من 2 - 5 تموز لسنة 2014 حيث كان عنوان المؤتمر " التحديات العالمية والمحلية لأفضل الممارسات في التقييم للعلوم المتقدمة " ومن خلال ذلك تمت مناقشة بحثي مع اللجنة العلمية الدولية لهيئة الاختبار الدولية (ITC) الذي عنوانه " تطبيق تجربة قدرات psi في مجال الرياضة " وتم اعتماده من اللجنة العلمية الدولية المذكورة اعلاه وحصولي على شهادة الاعتماد ونشره في كتاب المؤتمر العلمي الدولي صفحة (188) وفي الرابط الالكتروني <https://addi.ehu.es/bitstream/10810/15490/1/USWEB149974.pdf> وفي (26) مؤسسة علمية دولية الراعية للمؤتمر وايضا تم نشره في جامعة الباسك الاسبانية - كلية علم النفس كمرجع علمي الذي هو :-

Servicio editorial de la Universidad del País Vasco (UPV/EHU)

Euskal Herriko Unibertsitateko Argitalpen Zerbitzua

Press Service

ISBN: 978-84-9860-997-4

Legal deposit: BI-948-2014

<http://www.ehu.es/argitalpenak>

- مؤسسة علماء لأجل المستقبل الالمانية اختارت 26800 عالم من كافة انحاء العالم , وقد كنت من ضمن هذا الاختيار كعالم عراقي

(Dr. Laith Muhammad Al Azawe) وقد كان معظمهم من ألمانيا والنمسا , وذلك لغرض التوقيع

على وثيقة دولية خاصة بحماية البيئة من التلوث الصناعي العالمي , وقد تم توقيعها بتاريخ

2019/03/22 كانت موجهة الى الامم المتحدة

[/https://www.scientists4future.org/stellungnahme/unterschriften](https://www.scientists4future.org/stellungnahme/unterschriften)

**العضويات الدولية :**

1. عالم دولي مستقل في المنظمة العالمية العلمية ORCID في الولايات المتحدة الأمريكية.



2. خبير دولي في المنظمة العالمية للملكية الفكرية (WIPO GREEN) بالأمم المتحدة (جنيف – سويسرا).

3. عضو دولي محترف في جمعية الباراسايكولوجي الدولية Parapsychological Association (PA)

4. عضو دولي محترف في الجمعية النفسية الأمريكية American Psychological Association (APA)

5. عضو دولي محترف في مركز بحوث الراين Rhine Research Center (RRC)

6. عضو دولي في مجتمع البحث الروحي Society for Psychical Research (SPR)

7. عضو دولي في هيئة الاختبار الدولية

International Test Commission (ITC)

8. عضو دولي في الاتحاد العالمي للصحة العقلية World Federation for Mental Health (WFMH)

9. زميل دولي في المؤسسة الأمريكية لتقدم العلوم the American Association for the Advancement of Science (AAAS)

10. عضو اللجنة العلمية بدرجة عالم في المجموعة الدولية للرياضة والطاقة والوعي The Sports, Energy, and Consciousness Group (SEC)

كتب ومجلات دولية كتبت ونشرت عن عملي:



- تم نشر مقالة للاستشاري الدولي السويسري Martin Zoller حول مجال عملي بعنوان "Psychic abilities in the Olympic Committee" على موقعه الإلكتروني Newsletter 36, July 19, 2011 <http://www.martinzoller.com>

كما تم نشر ايضا عن عملي في كتابه الذي تم اصداره في سنة 2012 بعنوان " Die Kraft der Seelensprache " باللغة الألمانية

<http://www.amazon.de/Die-Kraft-Seelensprache-Globale-Medialit%20A4t/dp/3905958201>

- تمت مقابلة صحفية باللغة الإنكليزية حول مجال عملي by Sandy Frost هي امرأة امريكية الأصل حيث تعمل كاتبة ومحقة صحفية محترفة ولها مؤسسة اعلامية تسمى "The Cassandra Frost Collection" في واشنطن - الولايات المتحدة الأمريكية

<http://sandyfrost.newsvine.com>

وقد تم نشر تلك المقابلة الصحفية في مجلة علمية بريطانية التي تدعى:

Eight Martinis (The State of the Art of Remote Viewing)

<http://www.eightmartinis.com/eight-martinis-remote-viewing-magazine-issue-9-out-now> .

كما تم نشر تلك المقابلة في كتابها الصادر باللغة الانكليزية بعنوان:

"The Cassandra Frost Collection, A decade of writing on remote viewing, intuition and consciousness"

Chapter 12 - Interview with Laith Muhammad, Parapsychologist with the Iraqi Olympic Committee - Pages from 68-75

<https://www.smashwords.com/extreader/read/120638/68/the-cassandra-frost-collection-a-decade-of-writing-on-remote> .



للرياضة تم نشر مقالتي العلمية بعنوان " في المجموعة الدولية Parapsychology and Sports <http://sportsenergygroup.com/parapsychology-and-sports> والطاقة والوعي

- تم نشر مقالتي العلمية بعنوان " الباراسايكولوجي والرياضة " في مجلة الاكاديمي الاولمبي – العدد الثاني في شهر حزيران لسنة 2016 الصادرة من الاكاديمية الاولمبية العراقية في اللجنة الاولمبية الوطنية العراقية.

- مقالتي العلمية حول ( الباراسايكولوجي والاعلام )

<https://www.linkedin.com/pulse/parapsychology-media-laith-muhammad-al-azawe-psy>

- مقالتي العلمية حول ( قدراتنا الإدراكية الحسية الفائقة نحن الانسان من خلال التفاعل الانتاجي الكيميائي والفيزيائي الحيوي مع الطبيعة الكونية المحيطة بنا )

<https://www.linkedin.com/pulse/%D9%82%D8%AF%D8%B1%D8%A7%D8%AA%D9%86%D8%A7-%D8%A7%D9%84%D8%A5%D8%AF%D8%B1%D8%A7%D9%83%D9%8A%D8%A9-%D8%A7%D9%84%D8%AD%D8%B3%D9%8A%D8%A9-%D8%A7%D9%84%D9%81%D8%A7%D8%A6%D9%82%D8%A9-%D9%86%D8%AD%D9%86-%D8%A7%D9%84%D8%A7%D9%86%D8%B3%D8%A7%D9%86-%D9%85%D9%86-%D8%AE%D9%84%D8%A7%D9%84-laith>

- مقالتي العلمية حول ( تجربتي مع الثقوب السوداء في الفضاء ) Spiritual trip experience with

Black Holes <https://www.linkedin.com/pulse/spiritual-trip-experience-black-holes-laith-muhammad-al-azawe-psy>





- مقالتى العلمية حول (استخدام الادراك فوق الحسى فى تعزيز الاداء للرياضيين)

The International Journal of Healing and Caring

IJHC January, 2021 Volume 21, No. 1

"The Use of Psychic Perception to Enhance Athletic Performance: A report from the Iraqi Olympic Committee"

By Laith Mahmood Muhammad Al Azawe, PsyD.

Freelance scientist, Parapsychologist

<https://www.ijhc.org/current-issue>

### المحاضرات العلمية النوعية :

أقامت عدة محاضرات علمية نوعية عن ( مفهوم علم الباراسايكولوجى وعلاقته مع العلوم الأخرى ) و ( علم الباراسايكولوجى وعلاقته بالتخصص الرياضى ) فى :

1- جامعة حلب / كلية العلوم قسم علوم الفيزياء والليزر للدراسات العليا - سوريا - حلب فى شهر تشرين الاول لسنة 2002 , كان عنوان المحاضرة العلمية " مفهوم علم الباراسايكولوجى وعلاقته مع العلوم الأخرى " .

2- جامعة عين الشمس / كلية علم النفس - الدراسات العليا - مصر - القاهرة فى شهر ايلول لسنة 2006 كان عنوان المحاضرة العلمية " مفهوم علم الباراسايكولوجى وعلاقته مع العلوم الأخرى " .

3- جامعة بغداد /كلية التربية الرياضية - الدراسات العليا - بغداد - الجادرية فى شهر ايلول لسنة 2011 , كان عنوان المحاضرة العلمية " علم الباراسايكولوجى وعلاقته بالتخصص الرياضى " .



4- مركز هرموني العلمي للتنمية البشرية في بيروت - لبنان في شهر آب لسنة 2012 , عملت دورة علمية لثلاثة ايام حول " اساسيات علم الباراسايكولوجي " وكذلك قدمت استشارات باراسايكولوجية في العيادة الاستشارية لمدة سبعة ايام .

5- وزارة الداخلية العراقية – المعهد العالي للتطوير الامني والإداري - قسم الدراسات العليا واعداد المدرسين , بتاريخ 2 نيسان لسنة 2015 كان عنوان المحاضرة العلمية " الحدس وعلاقته مع اليقظة والحذر لرجل الامن " .

6- الجامعة المستنصرية / كلية التربية الرياضية - الدراسات العليا – بغداد – العراق في 9 نيسان لسنة 2015 , كانت المحاضرة العلمية حول " اساسيات علم الباراسايكولوجي " والمحاضرة الثانية في 12 – نيسان لسنة 2015 كانت حول " تمرين اختبار العملية التخاطبية للأساتذة وطلبة الدراسات العليا والأولية.

7- جامعة بغداد / كلية التربية البدنية وعلوم الرياضية للبنات – بغداد – العراق في 20 نيسان لسنة 2015 , كانت المحاضرة العلمية لمدربي كرة اليد حول " التنفس العميق والتصور الذهني لرياضيي الفئات العمرية لكرة اليد " .

8- وزارة الثقافة العراقية – دار المأمون للترجمة والنشر بتاريخ 1 آذار لسنة 2016, كان عنوان المحاضرة العلمية "مقدمة في علم الباراسايكولوجي".

9- وزارة التربية العراقية – مديرية تربية الكرخ الثالثة – قسم التدريب والتطوير , بتاريخ 20 آذار لسنة 2016 كان عنوان المحاضرة العلمية للمشرفين والمرشدين التربويين "اهمية النشاط الرياضي في التفوق الدراسي وتقويم السلوك لطلاب المدارس في العراق".



10- وزارة الداخلية العراقية – المعهد العالي للتطوير الامني والإداري - قسم الدراسات العليا واعداد المدربين , بتاريخ 11 أب لسنة 2016 كان عنوان المحاضرة العلمية " الحدس وعلاقته بالأمن النفسي " .

11- مركز البحوث النفسية – جامعة بغداد – منطقة الجادرية , بتاريخ 6 أيلول لسنة 2016 من يوم الثلاثاء في الساعة العاشرة صباحا, كان عنوان المحاضرة العلمية النوعية " تطبيقات قدرات الادراك فوق الحسي في الرياضة " .

12- كلية التربية البدنية وعلوم الرياضة – الجامعة المستنصرية , بتاريخ 24 تشرين الاول لسنة 2016 من يوم الاثنين في الساعة العاشرة صباحا , كان عنوان المحاضرة العلمية النوعية " تطبيقات قدرات الادراك فوق الحسي في الرياضة " .

13- الجامعة المستنصرية – قسم التعليم المستمر , بتاريخ 17 كانون الثاني 2017 من يوم الثلاثاء في الساعة العاشرة صباحا , عملت ورشة عمل نوعية علمية بعنوان " تطبيقات قدرات الادراك فوق الحسي في الرياضة " .

14- الجامعة المستنصرية – قسم التعليم المستمر , بتاريخ 9 - 13 نيسان 2017 اقامت دورة علمية نوعية حول " التنمية الذهنية لتحقيق الانجاز " .

15- الجامعة المستنصرية – كلية التربية البدنية وعلوم الرياضة – الدراسات العليا , بتاريخ 29 / تشرين الاول / 2017 اقامت محاضرة علمية نوعية لطلبة الدكتوراه حول " التنمية الذهنية لتحقيق الانجاز " .

16- وزارة العمل والشؤون الاجتماعية , بتاريخ 27 / تشرين الثاني / 2017 اقامت محاضرة علمية نوعية بعنوان " التنمية الذهنية لتحقيق الانجاز " .



17- جامعة النهريين , بتاريخ 5 / آذار / 2018 اقامت ورشة عمل علمية بعنوان " أهمية علم الباراسايكولوجي في الانجاز العلمي والاكاديمي " .

18- جامعة بابل – كلية التربية البدنية وعلوم الرياضة , بتاريخ 25 / آذار / 2018 أقمت ندوة علمية حول " تطبيقات قدرات الادراك فوق الحسي في الرياضة " .

19- بتاريخ 14 / أيلول / 2018 تم اعلان نظريتي العلمية من خلال محاضرة علمية نوعية في مستشفى سبولدينغ لإعادة التأهيل الصحي في كلية الطب هارفرد الامريكية في بوسطن, حول اهمية تطبيقات قدرات الادراك فوق الحسي في الرياضة وتأثيرها في تحقيق الوعي للرياضيين لغرض الوصول الى الانجاز العالي في المنافسات المحلية والدولية

<https://www.linkedin.com/in/laith-muhammad-al-azawe-psy-d-67167a53/>

<https://spauldingrehab.org/assets/Spaulding/pdfs/conditions-services/History%20of%20IM%20at%20SRH.pdf>

\*\*\*\*\*

## Integrative Medicine Task Force Welcomes International Expert to Spaulding



On Friday Sept 12, Dr. Laith Muhammad Al-Azawe, a visiting sports psychologist from Baghdad, spoke at Spaulding Boston to the Integrative Medicine Task Force about his innovative method of enhancing mind/body coordination in athletes by aligning their bodily energies. Dr. Al Azawe has worked for the Iraqi Olympic Committee for over 10 years with a variety of their athletic teams, including wrestling, archery and soccer.

\*\*\*\*\*

20- بتاريخ 7 / تشرين الثاني / 2018 اقامت محاضرة علمية نوعية في قسم التعليم المستمر – كلية العلوم – الجامعة المستنصرية حول " علم الباراسايكولوجي وعلاقته مع العلوم الاخرى " وكان من ضمنها العلوم الرياضية.

21- بتاريخ 17 / تشرين الثاني / 2019 اقامت محاضرة نوعية علمية في كلية التربية البدنية وعلوم الرياضة في الجامعة المستنصرية , كانت المحاضرة حول " الباراسايكولوجي والتكنولوجيا (التداخل الباراسايكولوجي في التطبيقات التكنولوجية علميا).

شهادات تقديرية: تم تكريمي بشهادات تقديرية وشكر من الجامعات ادناه..



1. كلية التربية البدنية وعلوم الرياضة – الجامعة المستنصرية , بتاريخ 24 تشرين الاول لسنة 2016 من يوم الاثنين في الساعة العاشرة صباحا , كان عنوان المحاضرة العلمية النوعية " تطبيقات قدرات الادراك فوق الحسي في الرياضة " .

2. الجامعة المستنصرية – قسم التعليم المستمر , بتاريخ 17 كانون الثاني 2017 من يوم الثلاثاء في الساعة العاشرة صباحا , عملت ورشة عمل نوعية علمية بعنوان " تطبيقات قدرات الادراك فوق الحسي في الرياضة " .

3. الجامعة المستنصرية – قسم التعليم المستمر , بتاريخ 9 - 13 نيسان 2017 اقامت دورة علمية نوعية حول " التنمية الذهنية لتحقيق الانجاز " .

4. الجامعة المستنصرية – كلية التربية البدنية وعلوم الرياضة – الدراسات العليا , بتاريخ 29 / تشرين الاول / 2017 اقامت محاضرة علمية نوعية لطلبة الدكتوراه حول " التنمية الذهنية لتحقيق الانجاز " .

5. جامعة النهريين , بتاريخ 5 / آذار / 2018 اقامت ورشة عمل علمية بعنوان " أهمية علم الباراسايكولوجي في الانجاز العلمي والاكاديمي " .

6. جامعة بابل – كلية التربية البدنية وعلوم الرياضة , بتاريخ 25 / آذار / 2018 اقامت ندوة علمية حول " تطبيقات قدرات الادراك فوق الحسي في الرياضة " .

7. بتاريخ 20 / ايلول / 2018 من خلال محاضرتي العلمية النوعية " اهمية تطبيقات قدرات الادراك فوق الحسي في الرياضة " في مستشفى سبولدينغ لإعادة التأهيل الصحي في كلية الطب هارفرد الامريكية في بوسطن, تم الاعتراف العلمي من المجلس العلمي للطب التكاملي في كلية الطب هارفرد بنهج طريقتي الابتكارية لعلم النفس الرياضي والباراسايكولوجي في توازن تقنية

الطاقة الحركية في تقييم وتدريب الرياضيين وكذلك في تنسيق تحسين الاداء العمليات العقلية والبدنية في الرياضيين من خلال محادثات طاقات اجسامهم من خلال عملي معهم في تحقيق النتائج التصاعدي في المنافسات المحلية والدولية الرياضية

8. بتاريخ 7 / تشرين الثاني / 2018 كلية العلوم في الجامعة المستنصرية – قسم علوم الجو , كانت المحاضرة حول " علم الباراسايكولوجي وعلاقته مع العلوم الاخرى " وكان من ضمنها العلوم الرياضية.

9. بتاريخ 17 / تشرين الثاني / 2019 كلية التربية البدنية وعلوم الرياضة في الجامعة المستنصرية , كانت محاضرة نوعية علمية حول " الباراسايكولوجي والتكنولوجيا (التداخل الباراسايكولوجي في التطبيقات التكنولوجية علميا).

10. الاتحاد العالمي لتقنيات التنمية البشرية والتطوير الذاتي



عنوان البريد الإلكتروني : [lm1aithwhite952@gmail.com](mailto:lm1aithwhite952@gmail.com)

[https://scholar.google.com/citations?user=D1\\_S32oAAAAJ&hl=en](https://scholar.google.com/citations?user=D1_S32oAAAAJ&hl=en)

<https://www.linkedin.com/in/laith-muhammad-al-azawe-psyd-67167a53/>

<https://orcid.org/0000-0002-1244-8836>



# GOIDI AMERICAN JOURNAL





WIPO | PROOF  
Trusted Digital Evidence

**CERTIFICATE ID:** WDTS-PC-00002136

The World Intellectual Property Organization hereby certifies that, on Sep 23, 2021 11:08 UTC, Dr. LAITH MUHAMMAD AL AZAWI had possession of the digital file described below.

Digital file name:	The Use of Psychic Perception to Enhance Athletic Performance
Digital fingerprint of the file:	50c1548439f2de25c3d4913d26a87453c70751b8e73eed235abb9bfa8ac9ab2

This certificate was issued on Sep 30, 2021 06:08 UTC upon presentation of the digital file and its related WIPO PROOF token.

Serial number:	526653580352370200525417619328193737531655717120   Policy: 1.3.6.1.4.1.48669.2.1.1
Timestamping Authority:	O = World Intellectual Property Organization   OI = CHE-462.076.735   C = CH



WIPO | PROOF  
Trusted Digital Evidence  
Certified Copy



Daren TANG  
Director General  
World Intellectual Property Organization

**تلقائي**





**GOLDI AMERICAN JOURNAL**



## PROGRAM OF GLOBAL ORGANIZATION

### of Invention Development and Investment

مسابقة المخترعين الدولية / تقام دوريا خلال العام



**برعاية الهيئة العالمية الأمريكية  
للاختراع والتنمية والاستثمار  
تقيم / ايفريست الدولية للاختراع  
مسابقة GOLDI الأمريكية الاولى  
للاختراع والابتكار/ عن بعد**



للمخترعين والباحثين والاكاديميين  
للكافة الجنسيات وكافة الفئات العمرية  
مُعتمد دوليا من GOLDI  
للحاصل على براءة اختراع او غير حاصل عليها  
حواجز عديده وشهادات دولية امريكية  
رسوم رمزية  
لجنة تحكيم دولية  
للمشاركة سجل على رابط الاستمارة المرفقة  
www.goidi-usa.org  
للاستفسار واتساب 00962798812398

برنامج الجدوى الاقتصادية للمخترعين والمؤسسات



**GOLDI AMERICAN JOURNAL**



منظمة افرست الدولية للاختراع  
تقدم البرنامج الدولي الأول



برنامج الجدوى الاقتصادية

تحليل إحصائي برمجة خطية

للمخترعين وكافة المؤسسات الدولية  
البرنامج مصمم بأحدث الوسائل العلمية الحديثة  
وفر الوقت والجهد والمال

وفر الوقت والجهد والمال   
 00962798812398



# GOIDI AMERICAN JOURNAL



## برنامج الاعتماد الدولي الامريكى للخبراء والمدربين

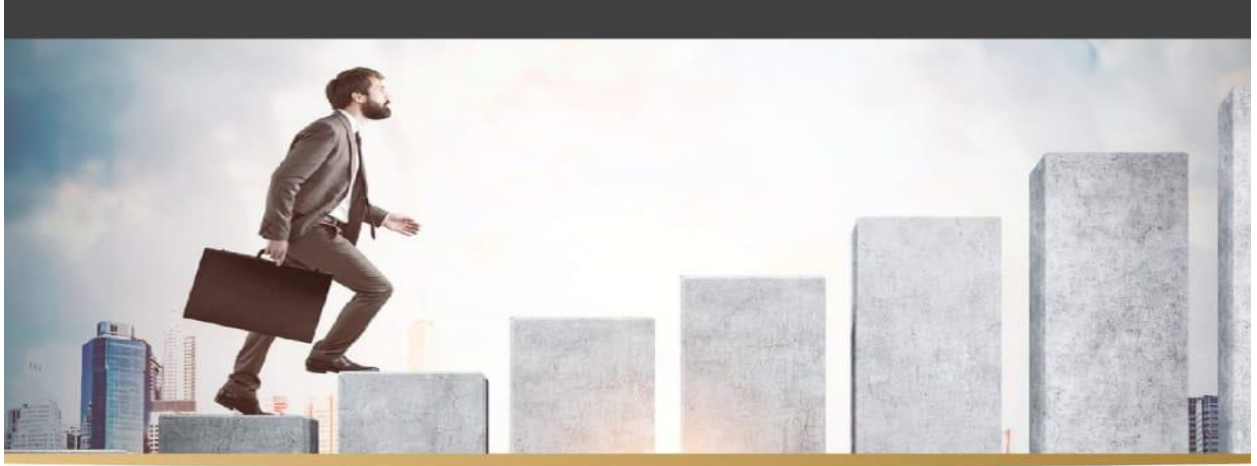
**GOIDI**  
Global Universal Innovations.inc  
Development . Investment  
USA DELAWARE FILE7621499

[www.goidi-usa.org](http://www.goidi-usa.org)

GOIDI-USA



**GOIDI AMERICAN JOURNAL**



## تنفيذ افست الدولية للإختراع

- ✓ تصدر أولى الاعتمادات الأمريكية الدولية
- ✓ خبير تدريب دولي معتمد في الاختراع و الابتكار الدولي
- ✓ خبير تحكيم دولي معتمد في الاختراع والابتكار الدولي
- ✓ خبير دولي معتمد ملكية فكرية لبراءات الاختراع
- ✓ مدرب دولي معتمد في الاختراع والابتكار للموهوبين
- ✓ خبير تدريب دولي معتمد في كافة التخصصات
- ✓ اعتماد مؤسسات التدريب الدولية
- ✓ مصدقة من الدوئر الرسمية من امريكا او بدون تصديق

**GOIDI**



## الاعتماد الدولي للمؤسسات التدريبية وكافة خبراء التدريب من مؤسسات بريطانية دولية معتمده ومتخصصة في قطاع التدريب

UNITED STATES OF AMERICA

**athe** AWARDS FOR TRAINING AND HIGHER EDUCATION  
London Center for Research And Counseling

**GOLDI**  
GLOBAL UNIVERSAL INNOVATIONS INC  
DEVELOPMENT . INVESTMENT  
USA DELAWARE FILE 7621499

PROVIDER OF TRAINING EXCELLENCE

CPD & TRAINING

HEALTH CARE AND MEDICAL

**GLOBAL UNIVERSAL INNOVATIONS INC**  
DEVELOPMENT . INVESTMENT

**GOLDI**  
الاعتماد الدولي (GIAC)

For International Accreditation Services/ GIAC

التعاون في منح الاعتمادات التالية -  
- الاعتماد الدولي لكافة برامج التدريب  
- برامج الدراسات الجامعية من التعليم العالي البريطاني ومع جامعات معتمدة تعليم عالي من أفضل مؤسسات التدريب الدولي والبريطاني

- Awards For Training And Higher Education (ATHE)
- Continuing Professional Development (CPD)
- Provider Of Training Excellence (PTE)

بمنح الاعتماد للقطاعات التالية :-  
البرنامج الأكاديمي والمعتمد تعليم عالي بريطاني

- الكليات والمعاهد الأكاديمية
- الجامعات
- الطلاب الراغبين بالدراسة في درجات الدبلوم والبكالوريوس والماجستير والدكتوراه / عن بعد او بالحضور

الاعتماد الدولي لبرامج التدريب

- منح شهادة خبراء التدريب والتنمية البشرية
- اعتماد المدرسين الدوليين
- اعتماد أخصائيي تدريب
- اعتماد مستشار دولي
- اعتماد برامج المؤسسات والأكاديميات في قطاع التدريب
- المنظمات الدولية

التصديقات الحكومية

- تصديق أمريكا لمن كاتب عدل ووزارة خارجية وسفارة و ابوستيل
- تصديق بريطانيا لمن كاتب عدل ووزارة خارجية وسفارة

كيفية التواصل

اولا / ترسل الطلبات ايميل [info@goidi-usa.org](mailto:info@goidi-usa.org)  
ثانيا / بعد ارسال الايميل يمكن التواصل واتساب 00962798812398  
لايتم استقبال اي اتصال بدون استقبال الايميل  
ملاحظة / اي اتصال غير جاد يتم استبعاد من قاعدة بيانات المنظمه فيما بعد

[www.goidi-usa.org](http://www.goidi-usa.org)



# GOIDI AMERICAN JOURNAL



## GOIDI GROUP /USA

- > EVEREST INTERNATIONAL OF INVENTION
- > GLOBAL ENTREPRENEURSHIP CENTER
- > INTERNATIONAL CENTRE OF RECOGNISED INVESTMENT
- > INTERNATIONAL TRAINING LEADERS CENTER
- > INTERNATIONAL CENTRE OF YOUNG ENTREPRENEURS
- > INTERNATIONAL CENTRE OF STRATEGIC RESEARCH
- > CENTRE OF CREATIVITY & INNOVATION FOR SMART MINDS
- > GOIDI FOR INTERNATIONAL ACCREDITATION SERVICES.
- > AMERICAN GLOBAL ACADEMY OF INVENTION AND INNOVATION
- > GOIDI AMERICAN JOURNAL OF INNOVATION, DEVELOPMENT AND INVESTMENT

## PROGRAMMES OF THE ORGANIZATION

Exhibitions. Conferences .Contests .Training Programs. Registration Of Intellectual Property Patents. Certified University Programs. International Accreditation Of Institutions And Individuals



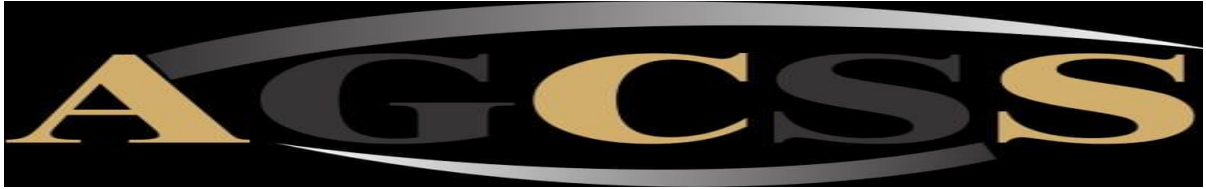
[www.goidi-usa.org](http://www.goidi-usa.org)



**GOIDI AMERICAN JOURNAL**



**مركز جويدي الامريكي للندوات العلمية / THE AMERICAN GOIDI CENTER**



**The American GOIDI Center  
for Scientific seminar**

**AGCSS**

**GOIDI**  
GLOBAL UNIVERSAL INNOVATIONS, INC.  
DEVELOPMENT . INVESTMENT  
USA DELAWARE FILE 7621499

## مركز جويدي الأمريكي للندوات العلمية

يعمل المركز على تقديم الندوات العلمية بكافة التخصصات  
يلقيها خبراء من كافة الجنسيات وبعده لغات وتقدم دوريا اسبوعيا  
ويستقبل المركز كافة المهتمين للأنضمام لحضور الندوات العلمية  
والتي تعالج اهم قضايا المجتمعات الدولية

نرحب باستقبال طلبات كافة الاساتذة والخبراء الراغبين  
تقديم ندوات في مختلف التخصصات

الراغبين تقديم ندوات الارسال على الرابط التالي [shorturl.at/inptX](https://shorturl.at/inptX)  
للمهتمين الانضمام على رابط الواتساب

<https://chat.whatsapp.com/HKrs8uYXPVK0onycRiqeSR>



نرحب بكافة طلبات التعاون مع الافراد والمؤسسات  
والجامعات وترسل الطلبات على الايميل :  
[seminars@goidi-usa.org](mailto:seminars@goidi-usa.org)  
[www.goidi-usa.org](http://www.goidi-usa.org)

رئيس مركز جويدي الامريكي العلمي  
رئيس مجموعة الهيئة العالمية الامريكية  
للاختراع والتنمية والاستثمار GOIDI

**د. ابراهيم الياسين**

المدير التنفيذي



# GOIDI AMERICAN JOURNAL



وسام جویدی الامریکی للتمیز العلمي  
**American GOIDI Medal**  
**for scientific excellence**







**GOIDI AMERICAN JOURNAL**



GOIDI



**برعاية الهيئة العالمية الامريكية**

**للاختراع والتنمية والاستثمار  
تقدم**

**مبادرة جويدي للتميز العلمي 2022**

- ★ منح وسام جويدي الامريكي الدولي للتميز العلمي
- ★ منح درع جويدي الامريكي الدولي للتميز العلمي
- ★ الاحتفالية السنوية لمنح جائزة جويدي الامريكية الدولية للتميز العلمي

**الفئات المستهدفة**

- الباحثين بكافة الدرجات العلمية
- الاكاديميين بكافة تخصصاتهم
- المخترعين بكافة تخصصاتهم



للتسجيل والحصول على طلب التسجيل التواصل واتساب

ادارة العلاقات العامة 00962798812398



## Inventions

### **Inventor Abdulrahman Hamdi**

The name of the invention

### **Educational device for checking electronic components**

Registered in Syria No. 2017070060

Syria Damascus

### **Technical state of the invention:**

Many children consider that learning electronics is a difficult and mysterious thing, because of the educational methods that are characterized by difficulty and complexity.

Therefore, there was a need for simple and comprehensive educational methods that cover most types of electronic components so as to clarify them and at the same time test them and check their performance.

From here, this device was designed, which includes education on the specifications and characteristics of electronic elements and at the same time he examines and experiments while watching videos about the element he is learning on, displaying schematics and circuit design programs.

### **Technical Description:**



Electronic elements vary in terms of their shape or way of working and feeding. Simple bipolar elements such as ordinary resistance and diode are easy to examine and test and know how they work, but elements such as capacitor and thyristor, for example, need to be charged to know how they work and behave in alternating current and in direct current AC&DC .This educational device includes a board on which electronic elements are installed during learning and training in their performance, a test device such as the Avo, and a feeding section that gives both alternating and continuous currents, in order to know the characteristics of each electronic element, how it works, and how to check it. This is supported by identification cards for each element that contains a drawing, diagram and summary. About the way it works and a test placed in a drawer in the device, in addition to a base at the end of the device that holds a tablet display device that displays video clips, in addition to the possibility of running virtual programs representing electronic circuits that can simulate what we learn on the experimental board that is part of the device.

First: The device consists of a main base that holds the rest of the device's components, which is a rectangular base made of suitable electrically insulated materials.

Second: A board for fixing the electronic elements known as the "bread board" is installed on the bearing base. The task of this piece is to facilitate the installation of the electronic elements required to be learned on, their function and examination.

Third: As for the used electronic elements that are difficult to install on the examination board "bread board", we install two spaced metal rods installed



either independently or on the bread board, and electronic elements that have two electrodes are placed on them during the examination or learning process. Accommodate any electronic piece, whether small or large.

Fourth: It is placed on the base and in a suitable place. A multi-voltage electric source of two types of electricity is placed, DC and alternating current, in order to show how the electronic piece deals with both types of current. A multi-voltage electric transformer is used for this. A section of the experiment sockets is connected From the coil immediately before the current passes in the bridge of unification and smoothing in order to obtain an alternating current and the other part is taken from the bridge of unification of current in order to obtain a constant current to use both currents to feed the experimental elements and to know how the electronic element behaves with both types of alternating and continuous electric current, With another main function, it is feeding some types of elements that need an electric current when taking off.

Fifth: At the top of the base, there is a suitable place to install a tablet on which clips of films are shown explaining the electronic piece on which the learning is done. Programs for designing and testing circuits such as Multi-SIM can be downloaded.

Sixth: At the base of the device there is a cavity in which cards are placed either from cardboard or from plastic, printed on each of them a picture, specifications and characteristics of a specific electronic element and an explanation of how to check it, and each card consists of two sides, the first side contains information explaining the electronic element and how it works with A drawing of its internal scheme, while the second side of the card explains the method of



examining the electronic component and how it interacts with both alternating current and direct current and how it is combined with other elements similar to it or different from it.

Seventh: At the other end of the base there is a small drawer in which the electronic items to be learned are placed.

Eighth: An electronic measuring device is also installed on the base in order to measure the changes of electronic elements, as well as a set of small lamps used when testing the effect of current resistance on the lighting of lamps.

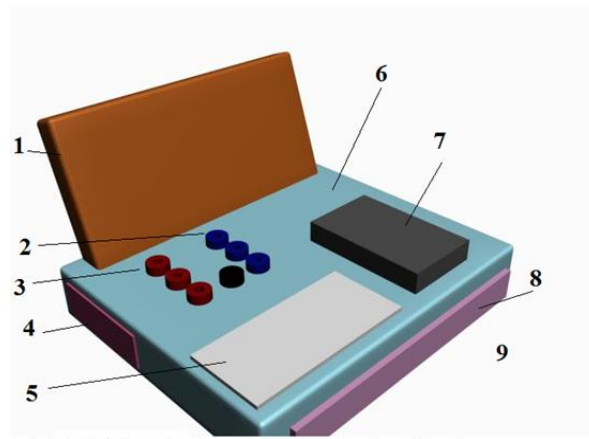
Ninth: A group of various colored wires used for testing and connection.

#### The method of work:

The device is placed on the table in front of the student, and the tablet device is installed on it. It is connected to the electrical power supply. Then one of the items to be learned is taken out and installed on the examination board “the bread board”, and the learning card for the item is issued

The item is checked and tested as stated in this card, then the video is played

Which is explained on the tablet device, and what the student has learned is simulated on the virtual programs on the tablet device. Thus, the student tests the electronic component and learns about it and everything related to it in a short time and on one device.



- 1- Tablet for viewing videos and educational programs
- 2- DC socket
- 3-AC socket
- 4-Drawer for electronic components
- 5-"Bread board" on which electronic components are attached
- 6-The base that holds the device
- 7-Avotimeter for checking electronic components
- 8-Drawer for electronic componets





A device designed to teach children how to check electronic elements and their functions and how they work. The device consists of a base on which a “bread board” is installed, an Avometer, and a DC and AC electric feeding device. At the end of the device’s base there is a special place to install a tablet device used to display the video of electronic parts, in addition to As for circuit design programs, there is a tray with cards for each electronic component, in which there is a full explanation of the electronic component and a diagram, in addition to another tray in which all kinds of electronic components are required.

## Invention



د.نبراس رضا محمد حسن

**Nebras Rada Mohammed**

مكان العمل /جامعة التراث AL-Turath university college

**E-Mail: [nebrasrada5@gmail.com](mailto:nebrasrada5@gmail.com)**

عنوان الاختراع

تحضير وسط زرعى جديد لتحفيز زيادة انتاج انزيم تحلل الخثرة Staphylokinase المنتج من

Acridine Orange(AO) باستخدام *Staphylococcus aureus* بكتريا

**Preparation of a new culture medium to stimulate increased production of Staphylokinase produced from *Staphylococcus aureus* by using Acridine Orange(AO).**

أسم الوسط الزرعى الجديد

**Nebras Increase Production Staphylokinase Acridine Orange Agar**

السيرة الذاتية للمخترعة: دكتورة نبراس رضا محمد / دكتوراه تقنيات احيائية / وراثة جزيئية/ هندسة وراثية-هندسة بروتينات/ باحثة 50 بحث/ مخترعة 4 براءات اختراع مقبولة و5 مسجلة / حاصلة على 50 وسام ذهبي ووسام مشروع عالم / مبدعة من مجلس النواب العراقي ومن الاردن, تونس, ماليزيا, الجزائر, سوريا/ مؤلفة ل 8 مؤلفات علمية/ تدريسية في مجموعة طبية التخدير والعناية المركزة/



بروفيسور فخري/ مستشار في المختبرات الطبية/ خبير في المختبرات الطبية/ حاصلة على ستة (6) جوائز من كندا- تورنتو وامريكا ومصر / جائزة أفضل شخصية وجائزة الملكية الفكرية العالمية WIPO وجائزة أفضل امرأة عربية 2020 وجائزة جويدى الامريكية وجائزة افضل بحث 2019 وجائزة افضل بحث 2020

## الملخص

هدف الاختراع تحضير وسط زرعى جديد لتحفيز زيادة انتاج انزيم تحلل الخثرة Staphylokinase المنتج من بكتريا *Staphylococcus aureus* باستخدام Acridine Orange(AO) المستخدم في علاج الجلطات Thrombosis. مكان صدوره العراق / الملكية الصناعية / الجهاز المركزي للتقييس والسيطرة النوعية/ وزارة التخطيط. طريقة الاستخدام تصميم الدراسة Study design للعينات من نوع Cross-sectional study design من 500 عينة تعود لبكتريا *S.aureus* جمعت من مصادر سريرية مختلفة في مستشفيات بغداد شملت (56%) 280 من اللوزتين Tonsillitis, (20%) 100 من الأنف, (8%) 40 من الأورام, (3.4%) 17 من الادرار, (5.4%) 27 من الدم, (7.2%) 36 من الجلد (حب الشباب Acne). نتائج التشخيص باستخدام Vitek2 وتشخيص العزلات المعزولة من الاورام بواسطة PCR للكشف عن جين *16SrRNA* أثبتت ان جميع العزلات تعود الى بكتريا *S.aureus*. نتائج النمو على الوسط الزرعى الجديد المضاف له المادة Acridine Orange(AO) اثبت وجود نمو بتركيز 10 غرام الى الوسط الزرعى وكان لون البكتريا على الوسط الزرعى الجديد لون مختلف عن نموها في باقي الاوساط الزرعية المعروفة والخاصة لنمو بكتريا *S.aureus* ذات لون داكن وغامق جدا, اخضر داكن جدا وكذلك فقدت انتاجها لانزيم تحلل الدم Hemolysin بعدما كانت تنتج انزيم Hemolysin المسبب في تحلل الدم قبل نموها على الوسط الزرعى الجديد واصبحت غير منتجة للانزيم بعد نموها على الوسط الزرعى الجديد, اما فحص المضادات عمل لها بعد نموها على الوسط الزرعى الجديد وجد انها اصبحت حساسة لمضاد Vancomycin ومضاد Methicillin ومضاد Imipenem ومضاد Erythromycin ومضاد Oxacillin بعدما كانت مقاومة لهذه المضادات قبل



زرعها على الوسط الزرعي الجديد , وهذا يدل على انها تحولت من بكتريا ضارية Virulent *S.aureus* الى بكتريا غير ضارية Non-Virulent *S.aureus* بسبب فقدانها لمقاومة المضادات الحيوية وفقدتها لانتاج انزيم تحلل الدم, اما فحصها لانتاج الانزيم تحلل الخثرة Staphylokinase على وسط اكار البلازما ووسط اكار الحليب فانها كانت منتجة للانزيم وبشكل عالي جدا Overproduction Staphylokinase مقارنة قبل زرعها على الوسط الزرعي الجديد المضاف له مادة AO وهذا مهم جدا في العلاج الطبي بسبب انتاج انزيم من بكتريا غير ضارية بدلا من أنتاج وأستخدام انزيم من بكتريا ضارية .

اما عند اضافة التراكيز 20, 30 غرام فلا يوجد اي نمو للبكتريا عند اضافة هذه التراكيز, النمو كان فقط في تركيز 10 غرام.

كذلك تم فحص البكتريا النامية على الوسط الزرعي الجديد لأمتلاكها الجين *Sak* المشفر للانزيم المحلل للخثرة Staphylokinase والنتائج توضح امتلاكها الجين ولم تفقد الجين عند إجراء فحص جيني بأستخدام PCR.

الفائدة المرجوة منه لعلاج الجلطات Thrombosis و اهم النتائج التي توصل لها الاختراع زيادة انتاج انزيم تحلل الخثرة المستخدم في علاج الجلطات 5 أضعاف الانتاج عن السابق قبل اضافة Acridine Orange.

## Abstract

The goal of patent Preparation of a new culture medium to stimulate increased production of Staphylokinase produced from *Staphylococcus aureus* by Acridine Orange(AO).

Methods The study design of cases are Cross-sectional study that descriptive study by internal comparsion of 500 isolates collected from different provenance of human infections including 280(56%) from tonsils , 100(20%)



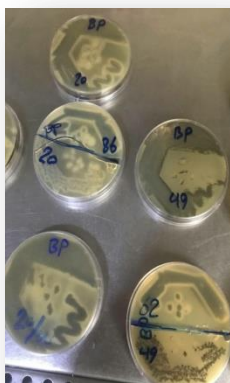
nose, 40(8%) tumors, 17(3.4%) urine, 27(5.4%) skin and 36(7.2%) blood, the isolation and identification achieved by using Vitek2-GP and Genotypic detection PCR to confirmative identification of *S.aureus* isolated from tumors.

The results of growth on the new cultural medium when added Acridine Orange(AO) showed there are growth when added 10 g to new culture medium, the growth of bacteria on new culture medium changed the color of bacteria different from the original of *S.aureus* become very dark and dark green color, also lost its blood hemolysis compared with the original became non hemolysis after growing on the new culture medium, either antibiotics susceptibility test work after growing on the new culture medium that it became sensitive to Vancomycin, Methicillin, Imipenem, Erythromycin and Oxacillin compared with the original was resistant. The growth on new culture medium it lost resistance to antibiotics and lost the production of the hemolytic enzyme(hemolysis).

The test for the production of the Staphylokinase (Thrombolytic enzyme) on the plasma agar and milk agar medium, it was turn off overproduction to Staphylokinase when grown on new culture medium that Acridine Orange(AO) therefore turn off from harmful bacteria into non-harmful bacteris with overproduction of staphylokinase when added the concentrations 10 gm but no growth when added 20g, 30 g. The bacterium also examined on the new culture medium for having the *Sak* gene that encoding for Staphylokinase (Fibrinolytic enzyme), the results grant positive result for possess *sak* gene that encoded for Staphylokinase.

The designed benefit it for thrombosis and the most important results that is an increase production the staphylokinase (thrombolytic enzyme) used in the

treatment of thrombosis was more than 5 times as much production as before adding Acridine Orange.





## **Invention**

### **Inventor Issam Hamdi**

Invention name:

### **development of lighting and heating by reflection**

Registered in Syria No 2017050040

Syria Damascus

### **Technical status of the invention:**

Solar energy has been used to simplify its indirect methods by reversing solar energy by means of reflective panels, which fall under the name of negative solar energy. This method is easily manufactured and licensed but its efficiency is less than the methods of using other solar energy, and the most important disadvantages in it: a- dispersion between the reflective board and the party benefiting from the reflection. b- The most important problem is the problems of direct reflection of the misalignment of solar thermal and photovoltaic and roamed at inappropriate angles that cause inconvenience to the user. Therefore, a study was conducted to avoid these problems and develop this use of solar energy and apply this development in the vocational apprenticeship secondary school in the Doumar project for heating and heating one of the classrooms on the second floor with funding and supervision from the Energy Research Center and the implementation of students in secondary school.



## **Technical Description:**

The modified system for the use of solar energy by reflection (heating, lighting) consists of three sections: the inverter section, the solar receiver section and the control system. a- First: Inverter Section: It is composed of a series of reflective panels of radiology and solar energy. It is designed in such a way that the reflective board is mounted on a frame at the center of which is a simple horizontal angle calculated according to the distance of the board from the solar receiver.

The modified reflector surface is mounted on a frame with a horizontal axial bearing that can be adjusted according to the direction of the sun by a small motor. The frame and holder are mounted on a base with a vertical axis that can be rotated by a motor to track the solar movement and then fixed on a ground base. The contiguous panels (two or more panels) are connected by the same vertical steering motor through a synchronous or serrated shaft and a synchronized pig between the panels and the use of the synchronizing column is less expensive and generally easier. The vertical and horizontal motion motors are connected to a solar tracking circuit that regulates the reflection process towards the objective to be lit and heated. At the same time, there is a manual control panel that enables the user to reflect as needed towards the windows or toward the walls fitted to the heat absorption as desired. A timeline can also be used to move the panels in a way that synchronizes the movement of the board with the movement of the solar arc. The use of a DC motor on the satellite engine will be tested to reduce the cost instead of the linear motor and the development of the circuit. Second: The future section of solar energy, which is



the windows and walls of the section to be used by solar energy. Processing of windows in order to benefit from lighting and solar heating and control between them. On the windows are installed a vertical line of vertical strips consisting of successive strips mounted on each

slide on a common rotor (similar to the vertical blinds available in the markets but modified to increase the gaps between each slide to enable the rotation freely The slide is made of fiber suitable for each slice face light (white in degrees or light gray for example) and the second face of the slice dark (black or dark gray, dark blue or dark green, for example)

. Preparing the walls in order to benefit from the reflected thermal energy. The walls here are what surround the windows in the section where solar energy is to be used It is therefore dependent on the inert mass of these walls to absorb the heat and re-radiate it inward by increasing the meandering and geometric shapes on the outer surface reflecting the solar energy to increase the area of capture, and to paint it with appropriate gray colors that increase the possibility of heat absorption. The electronic method is composed of a circuit tracking the sun similar to the installation of the circuits of trace known as any light cell and electronic circuit and engine, but the new in this circuit is that the photovoltaic cell does not follow the solar disk, but tracking the reflection in the area. When the solar radiation deviates from the area to be heated and turned on, the steering system will re-correct the panels to return the solar radiation to the desired area. The manual circuit is used to set the intensity of the lighting and heating by changing the reflection angle between zero and 100%, including reversing the radiation to the cement mass for thermal absorption instead of



lighting. The method of work: The panels are mounted in a suitable place and are often north of the place where the energy is to be reflected. The panels are joined by synchronous shafts and one motor moves the chain of plates. When the engine moves, the first board drives the rest of the plates. The angle of the horizontal

and vertical panels is angled at appropriate angles that connect

the solar arc and the target to the opposite of the solar radiation to it, and adjust the horizontal position. By means of a small motor that catches the horizontal reflection angle. The motors are connected to the internal control panel, which also contains the solar tracking circuit. The sensors of the solar tracking circuit are distributed in suitable places on the place where the solar energy is to be reflected.

When the solar disk moves, the reflection of the solar energy starts with both the light and the heat to the desired location. As the sun moves, the sensors give notice to the tracking circuit to give it to the horizontal and vertical drive to keep the reflection on the same place.

After the arrival of the solar energy reflected to the target, the solar radiation collides with both its optical and thermal energy with the vertical vertical blinds, whose angle is adjusted to form an angle or deviation in either direction as desired, after managing the vertical curtain segments in the appropriate manner. If we wish to increase the light force, To reflect the lighting indirectly to the inside of the place, which prevents the inconvenience caused by direct reflection, but if we want to warm more, we manage the slides to the dark face,





which absorbs the solar heat and then released through convection to the inside. When both energies are not desired and diluted, a control panel manual can be given to move the reflection towards the stationary cement block below or above the windows, which absorbs the thermal energy to store it and re-ignite it for a longer period of time and indirectly

**Abstract of the invention:**

The heating and lighting system has been developed by reflection to avoid known defects in this type and its inefficiency such as : Dispersion between the reflective board and the beneficiary side of the reflection. The most important problem is the problems of direct reflection of the poor distribution of solar thermal and photovoltaic and its angles at inappropriate angles that cause inconvenience to the user. It has been developed with reflective panels with tracking of solar reflection, and by the addition of segments to absorb and distribute solar energy and light in the target location of reflection Allegations to be protected: Use circuits tracking the solar reflection in order to follow the movement of solar thermal and photovoltaic panels to the goal to be warmed.

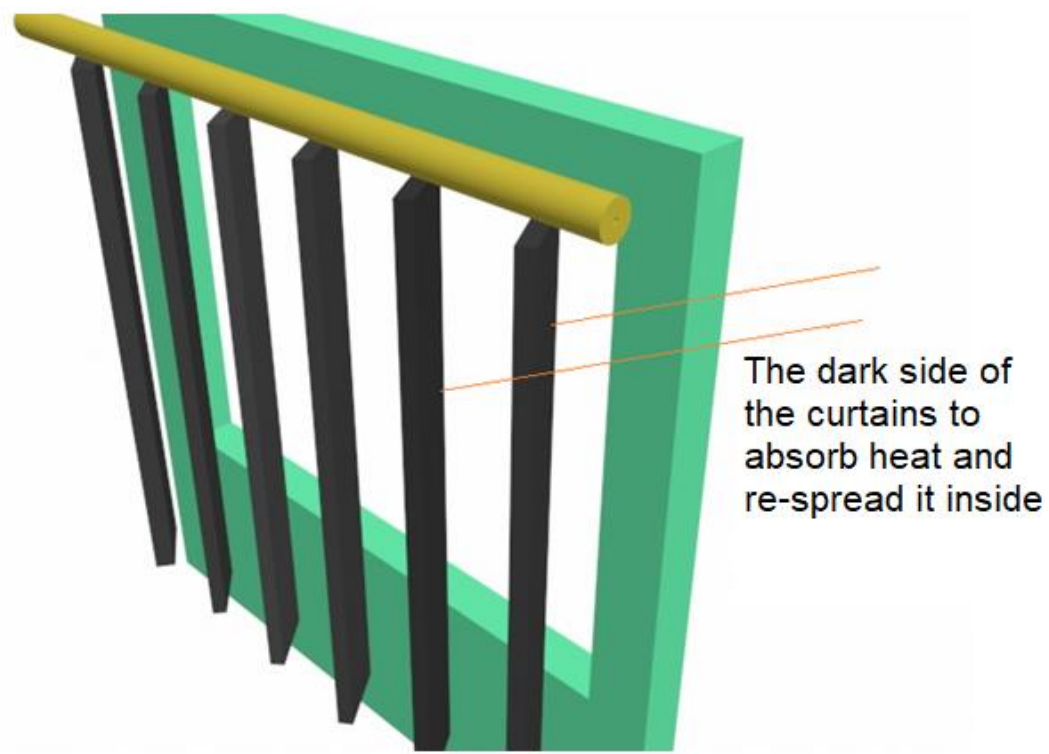


**The allegations to be protected:**

- 1- use of two - sided vertical curtain strips, a dark face for thermal absorption and light face for lighting, and slides with full rotation potential around the axis as needed, in order to absorb and redistribute the light and thermal energy reflected from reflective panels.
- 2- The colors of curtains vertical blinds designed to be one of the two sides suitable for the absorption of heat in dark colors and the second side suitable for light distribution in light colors, and can be paired slices managed on the axis as needed, for example a light slice and a dark slide, or as appropriate.
- 3- control the degree of lighting inside the hall by determining the angle of the slides to fit the degree required for lighting, taking into account the unevenness of the slides with the reflected beam to prevent the inconvenience caused by direct light, any use of scattering.
- 4- Provide the control panel with a manual control that can cancel the control and automatic tracking of sunlight if you want to reduce heat or turn the reflection to the surrounding area to support thermal absorption when needed.
- 5- processing of the wall areas surrounding the target room above and under the windows to be more absorptive heat by decoration forms that increase the heat-absorbing surface and the use of dark colors to raise the rate of heat absorption

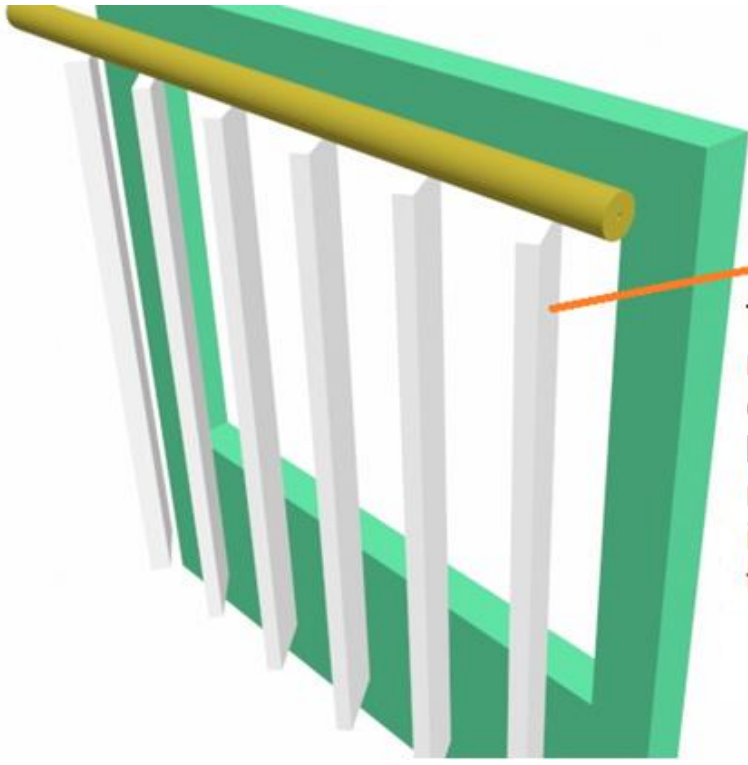


# GOLDI AMERICAN JOURNAL

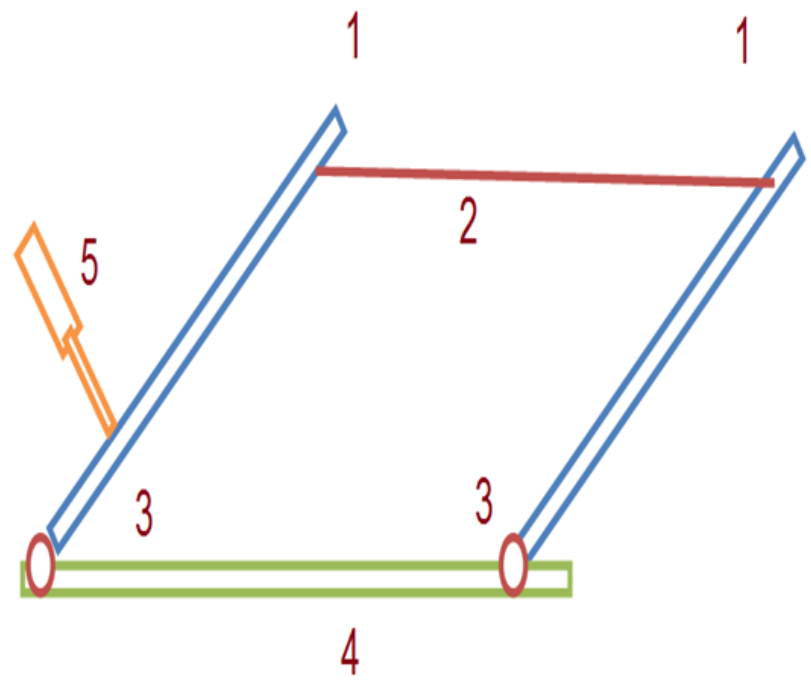




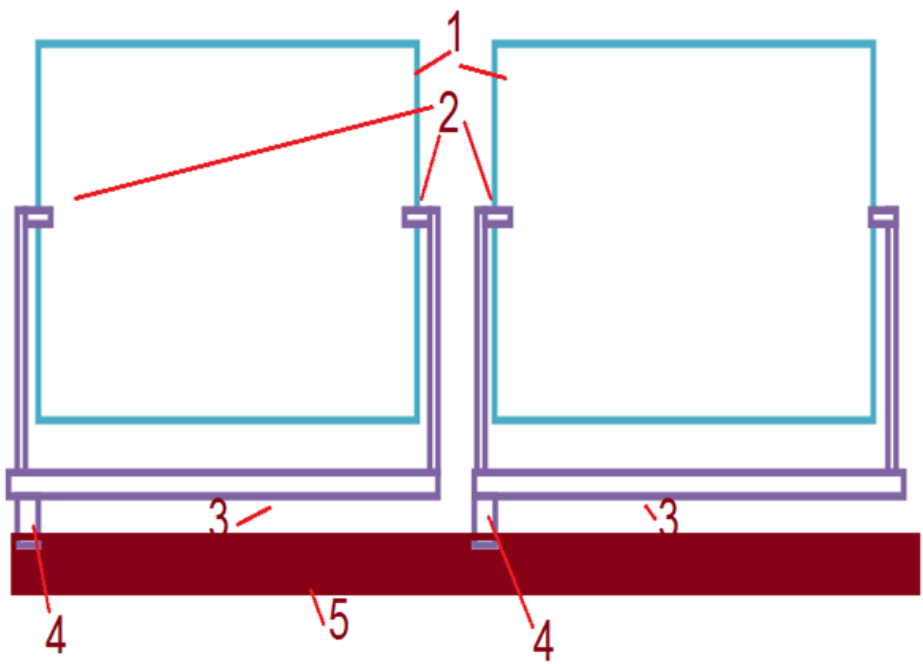
# GOLDI AMERICAN JOURNAL



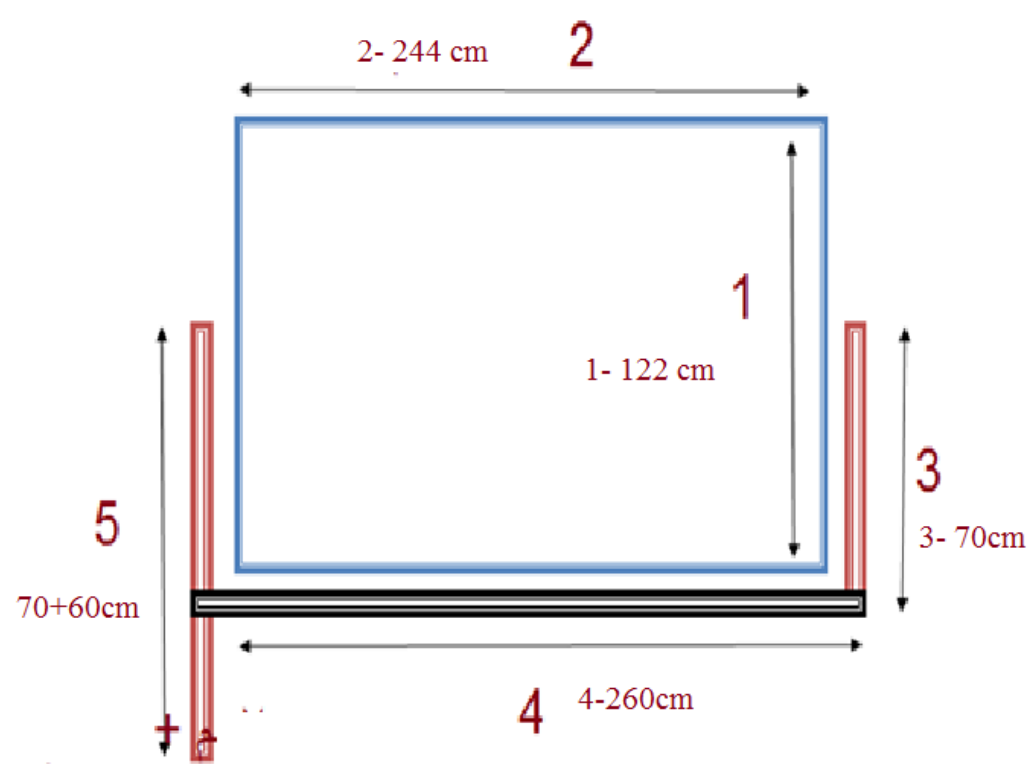
The slides are rotated to a light color to absorb the light and redistribute it indirectly so as not to harm the eyes



- 1-Reflective panels for the sun
- 2-Column to synchronize movement
- 3-Fixing point of the solar reflective panel
- 4- A common base for carrying panels
- 5-Sun tracking engine

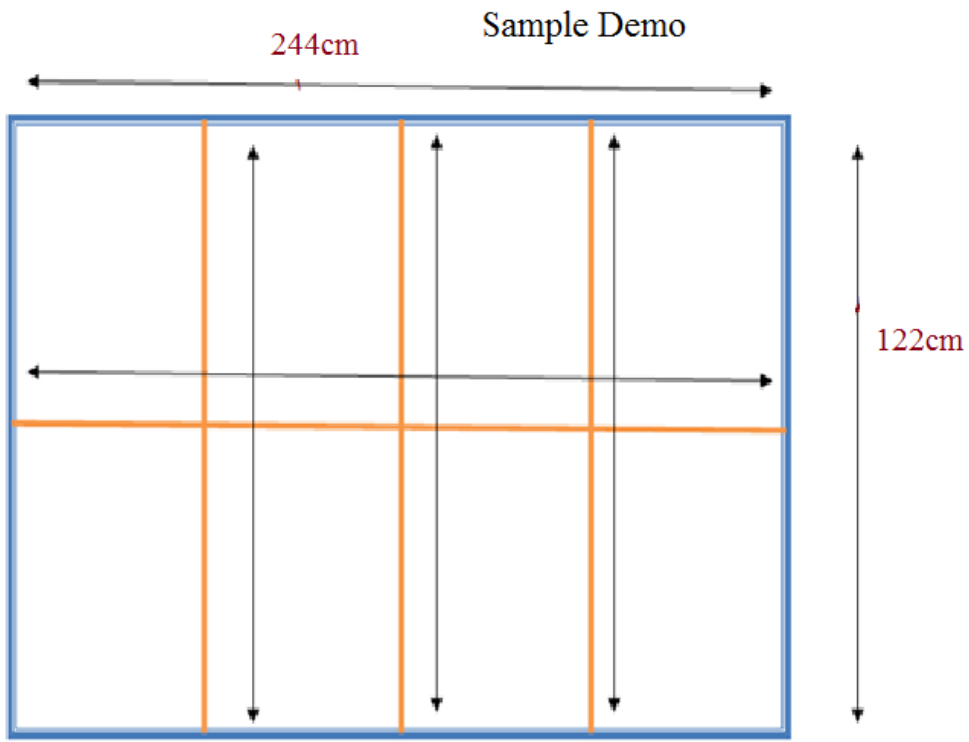


- 1- Reflective panels for the sun
- 2-Axis of horizontal movement
- 3-Frame bearing boards
- 4-Axis of vertical motion
- 5-Common base bearing reflective panels





# GOIDI AMERICAN JOURNAL







الجمهورية العربية السورية  
وزارة التجارة الداخلية وحماية المستهلك  
م . حماية الملكية التجارية والصناعية  
د . البراءات

محرر إيداع رقم / ٢٠١٧.٥٠٠٤٠ / لطلب براءة اختراع

إن مدير حماية الملكية التجارية والصناعية الموقع أدناه يثبت أنه في اليوم الواقع في السابع من شهر أيار لعام ٢٠١٧ م الساعة ١١:٣٠ صباحاً .  
قد أودع لدى دائرة البراءات السيد: عصام حمدي .  
العنوان : ريف دمشق\_ ضاحية قنصيا\_ سكن شبابي\_ج ١ .  
والسيد : محمد ركاد حميدي.  
العنوان : دمشق\_ ركن الدين .  
عنوان الطلب : " تطوير الإضاءة والتدفئة بالانعكاس " .  
المستندات المنصوص عليها في المادة السادسة والمادة الثامنة من القانون رقم / ١٨ / تاريخ ٢٠١٢/٣/٣٠  
وإن الموما إليه قد سدد الرسم القانوني للسنة الأولى لهذا الطلب البالغ / ٢٥٠ / مئتان و خمسين ليرة سورية وثبت  
بموجب الإيصال المالي المؤرخ في ٢٠١٧/٥/٧ برقم ٧٨٧٨٥٨ / ك .  
وإشعاراً بذلك نظم هذا المحضر تحريراً .

دمشق في ٢٠١٧/٥/٧ م

مدير حماية الملكية التجارية والصناعية  
المهندس أسامة مخير

## Research

مهددات الطفولة في ظل عصر العولمة

ا.م. د بلقيس عبد حسين / العراق

[babd0118@gmail.com](mailto:babd0118@gmail.com)

مقدمة:

التربية ليست بالشيء الهين في عصرنا اليوم، عصر مليء بالتغيرات المتلاحقة يوماً عن يوم، فتنشئة الاطفال تحتاج من الآباء والأمهات الكثير من الجهد والرعاية والفهم الواعي لمطالبات كل مرحلة يمر بها الطفل حتى يصبح شاباً يعتمد عليه ويترجم ما تم تعلمه على مدار سنوات نشأته الأولى، فالتربية هي عملية تحويل الوليد من كائن بيولوجي إلى كائن اجتماعي يتم من خلال وكالات (الأسرة – المدرسة – المنظمات الاجتماعية) وفقاً لأسس تربوية ونفسية واجتماعية ودينية منضبطة، وتتماشى مع معايير وتقاليد المجتمع الذي يتربى بداخله الطفل الوليد، يجب أن يكون مضمون تربية الاطفال بعيداً عن السلبيات وألا تكون القيم والمعايير وأنماط السلوك التي يكتسبها الفرد متخلفة أو سلبية .

هذا وأن يكون مضمون التربية بعيداً عن الانفتاح الثقافي الهدام، الابتعاد عن تراثنا الإسلامي العربي الجميل، والأخذ بكل ما هو غربي، أصبح موضة العصر، وأصبحنا نتفاخر بالمدراس الأجنبية لتعليم أولادنا عادات ولغات الدول الأخرى متجاهلين عاداتنا وثقافتنا العربية، فأصبحنا نلبس الملابس الغربية ونعلم الأولاد الكلمات الأجنبية قبل العربية، وأنا لست ضد الانفتاح على ثقافات العالم ولغاته وعاداته، ولكن ضد الانصهار الكامل في أحضان الثقافات الأخرى بحيث أصبح لدينا ميوعة في الشخصية العربية ، وهذا ما يجب أن نكون على حذر منه في تعليم اطفالنا والانفتاح بدون ضوابط على الثقافات الأخرى.

لذا لابد من انطلاق مختلف عمليات التنشئة من خلفية أساسية أيديولوجيا (نموذج وقدوة عربية نربي من خلالها أبناءنا)، يلزم وجود خط معين للتنشئة، وأن تكون هذه المؤسسات المختلفة في المجتمع متعاونة لتحقيق هذا النموذج حتى يخرج الفرد وله خصائص معينة وهوية محددة. ويجب أن تعمل مؤسسات التنشئة (الاسرة والروضة والمدرسة والجامع والاعلام ...) في إطار هذا النموذج لإخراج جيل له سمات وخصائص

توضح هويته، ويكون هذا النموذج خليطاً من الأيديولوجيا السياسية والثقافية والتاريخية، حيث يجب أن يكون لنا مثال أو نموذج في عملية التنشئة نابع من أيديولوجية المجتمع هذا النموذج يجب أن يحدد هويتنا. فهذا النموذج لا يلغي الطبقات ولكن يقربها مع بعضها في تناغم وتوافق ويذيب من الفجوات بين الطبقات.

## مظاهر العولمة :-

### 1- التـدقيق الإعلامـي والمعلومـي اتي:

حيث باتت وسائل الإعلام تمثل وسيلة أساسية للترفيه والتثقيف، والتعلم والتربية بين الأسر؛ مما ترك آثاره الإيجابية والسلبية على التنشئة الاجتماعية عامة، والتفاعل الاجتماعي داخل الأسرة.

### 2- انتشار ثقافة الاستهلاك ونشر القيم الفردية:

حيث لعب الإعلام دوراً بالغ الأهمية في نشر وتدويل ثقافة الاستهلاك، وإعلاء قيم الفردية؛ أسهم في إيجاد احتياجات ومطالب يرفعها الناشئة داخل الأسرة ترهق كاهل الأبوين مادياً أو معنوياً، وتثير توترات في عملية التنشئة الاجتماعية.

### 3- تهديد الوحدة المجتمعية:

فالعولمة تعتمد على تجاوز الحدود، وتجاوز الثقافات والهويات القومية، وإعلاء شأن اقتصاد السوق، ومثل هذه الأوضاع قد تقود إلى هيمنة الثقافة الغربية على وسائل الإعلام والاتصال، وانصهار هوية الأفراد والمجتمعات.

### آثار التكنولوجيا ووسائل الإعلام على تنشئة الطفل:

#### أ- فقدان الطفولة (حرق المراحل العمرية):

أدت المضامين الإعلامية المتنوعة والموجهة للصغار والبالغين على حد سواء - إلى حرق المراحل العمرية للطفل، أو ما يسمى بنظرية "فقدان الطفولة"؛ أي: تشويش وإلغاء الحدود بين عالم الطفولة وعالم البلوغ؛ لأنها تكشف للأطفال أسراراً من عالم البلوغ؛ مثل: العنف، الجنس، الإجرام؛ حيث يقلد نماذج سلوكية وتصرفات غير ملائمة لجيله.

## انعكاسات فقدان الطفولة على المجتمع:

\* زعزعة مكانة وسلطة الكبار والبالغين.

\* ازدياد القلق والحيرة من جانب الأهل؛ لأن الأطفال ينكشفون على مضامين لا تناسبهم، فلا يُميزون بين الرسائل الإيجابية والسلبية.

\* انخفاض مكانة المدرسة بتقلص فجوة المعرفة وسلطة البالغين.

## ب- الانطواء والعزلة الاجتماعية:

رغم ما فتحة شبكة الإنترنت من آفاق تواصلية هائلة يتهمها المربون بإدخال أطفالهم في عزلة اجتماعية، وبإفقادهم حسّ التواصل الحقيقي مع محيطهم، والانطواء في عالم افتراضي؛ مما يؤدي إلى فقدان الكثير من المهارات الاجتماعية والمعرفية والوجدانية والتعليمية، وقلة الحركة المصاحبة لاستخدام الأجهزة الإلكترونية، تؤدي إلى مشكلات القلق والتوتر والعصبية، ومشكلات نفسية وعقلية، وحتى اضطرابات التوحد؛ إذ يلاحظ زيادة عدد الأطفال الذين تمّ تشخيصهم بالإصابة بطيف التوحد المكتسب؛ حيث يعتبر بعض الباحثين أن الأجهزة الإلكترونية محفز للأطفال المهيئين؛ إذ يصبح للطفل عالمه الخاص، فينعزل عن العالم المحيط به بدلاً من التفاعل معه.

## ج- انتشار التأثير بالعنف:

فنظرة فاحصة لما تعرضه وسائل الإعلام، تُظهر الاستخدام المفرط للعنف؛ إذ نجد معظم المضامين تحتوي على الكثير من العنف الواضح أو الخفي (غير مباشر)، بدءاً من الأفلام، المسلسلات، النشرات الإخبارية، الأفلام الوثائقية، البرامج الرياضية، أفلام الكرتون وغيرها، والعنف هو كل حدث يتم فيه استعمال للعنف الجسدي بشكل واضح وقاطع وإحاق الضرر بالمعنف. والأطفال منذ صغرهم يتعرضون لعدد لا يُستهان به من البرامج في وسائل الإعلام، وفي كثير من الأحيان لا تكون تلك البرامج مُعدّة لجيلهم، وكثير من العنف السائد في المجتمعات اليوم مثلما نسمعه عن طالب ضرب أستاذه، وابن ضرب والديه، ناهيك عن غيرها من الجرائم هي انعكاسات سواء إرادية أو غير إرادية، لما تبثه تلك الوسائل على مدار الساعة؛ مما يرسخ تلك القيم في عقول أبنائنا، فيتبنونها تدريجياً

**الخاتمة:** من خلال ما توافر من اطر نظرية حول قضية تربية الطفل في ظل التقنية الرقمية والعمليات المتصلة بها، فإنه يُمكن استخلاص بعض النقاط التي يمكن من خلالها معرفة شيءٍ عن واقع ظاهرة التنشئة الاجتماعية وأساليبها ومؤسساتها في هذا المجتمع، وهي:

1- أن تربية الاطفال في المجتمعات اليوم تمرُّ بأزمة حقيقية خلّفتها ظروف التغير الاجتماعي والاقتصادي، والانفتاح على الثقافات العالمية بتسارع التقدم التقني في مجال الإعلام والاتصال؛ حيث لم تعد المؤسسات التقليدية للتنشئة (الأسرة، المسجد، المدرسة) وحدّها، هي التي تسيطر على نقل المعايير والقيم، وتنمية الاتجاهات لدى الشباب في المجتمع.

2- أن الأسرة - رغم ما سبق ذكره - ومع ما تعرّضت له من عوامل التغير الاجتماعي والاقتصادي، تبقى صاحبة الدور الرئيسي في عملية التنشئة الاجتماعية والضبط الاجتماعي، لكن الإشكالية أنها ورغم كل التطورات التي تحدث من حولها، لا زالت تقوم بتربية وتنشئة الطفل ببعض الأساليب القديمة التي لم تُعدّ تُجدي نفعًا، وكما قال علي رضي الله عنه: ربُّوا أبناءكم لزمان غير زمانكم.

3- أن وسائل الإعلام أصبحت تضاهي الأسرة قوةً وتأثيرًا على تربية الأطفال وبطريقة سلبية أكثر منها إيجابية.

4- أنه يجب دقُّ ناقوس الخطر للتصدي للآثار السلبية للتنشئة الإعلامية على الطفل، وإيجاد الحلول الناجعة لذلك،

**ومن الحلول والتوصيات المقترحة من أجل تنشئة سليمة للطفل في ظل تداعيات العصر:**

1- ضرورة مراعاة القيم والمبادئ الإسلامية، والاهتمام بجعلها منطلقًا لكل ما يقدم للناشئة من برامج، وما يُنشأ لخدمتهم ورعايتهم من مؤسسات في كافة المجالات. و العناية بالأسرة - كمؤسسة اجتماعية تربوية - عن طريق مراكز للخدمة الاجتماعية تنشأ في الأحياء، وخاصة الفقيرة منها، للتعرف على مشكلاتها، والعمل على مساعدتها في تخطي ما يعترضها من عقبات.



2- أهمية العمل على تحقيق التكامل بين مؤسسات التنشئة الاجتماعية المختلفة، وخاصة الرسمية منها، لتفادي التناقض في الأهداف والمضمون فيما تقدّمه للناشئة في المجتمع، وذلك بالتنسيق والتخطيط الجيد على المستويات العليا.

3- التخطيط لمحتوى إعلامي هادف ومكثف، يدعم التنشئة الاجتماعية السليمة، ويوعي الأولياء بمدى خطورة وأثر المضامين الإعلامية الهادمة، ومدى خطورة إدمان الإنترنت على الأطفال تربويًا وصحياً ونفسياً.

وختاماً، التنشئة الاجتماعية عملية تكاملية تواصلية تتطلب تضافر الجهود أفراداً ومؤسسات ومجتمعات، من أجل تنشئة سليمة لأفراد أسوياء، ومجتمعات حضارية راقية.



## Research

### العولمة ودورها في تغيير أنظمة الحكم اليوم وغداً

اعداد/ الأستاذة الدكتورة ضحى عادل محمود العاني

في اختصاص/ علم النفس التربوي

جامعة بغداد/ 2022 م - كلية التربية للبنات

المقدمة: -

لعبت مواقع التواصل الاجتماعي مثل الفيس بوك وغيرها دورا في اسقاط الأنظمة في بعض الدول العربية ومنها (تونس ومصر)، لذا تعد حاليا مواقع التواصل الاجتماعي أداة الرئيسة للعولمة في الدول العربية كافة وهذه الأداة في حالة تغيير مستمرة للأنظمة العالمية ككل.

وهذا ما ساعد داعش للدخول لبعض الدول واستغلال هشاشتها في الحكم، ان الخطأ الذي حصل هو تقدير الامريكان في جعل اهل البلاد العربية في دوامة الصراع الذي لا ينتهي كي يطمئنا على مصير بعض الدول الحليفة في المنطقة العربية.

لكن الحقيقة التي تقال من ان جميع الدول العربية حالها كحال سويسرا فهي في حالة الحياد المسلح أي ليس لديها نية في الدخول في أي قتال او معركة لان أسلحتها تقليدية وغير نظامية، كما ان الأسلحة المتطورة لا تصنع في هذه الدول بل يتم شرائها من الدول الصانعة للصراعات الداخلية والخارجية.

ان الصراعات الداخلية في داخل كل دولة عربية ستؤدي الى انتقالها الى الدول الاوربية والغربية لان أكثر المواطنين في الدول الغربية يعتبرون الصراعات الداخلية هي نوع من التحرر، كون القانون لا يطبق ولا يعترف فيه خلال الصراعات الداخلية.

خصوصا ان الغرب تعودوا على العيش بحرية لكن مع فرض القانون، فهذه الصراعات تفتح باب الحرية أكثر في بلدانهم بدون القانون.

وهذا ما حصل عندما اعترض الرئيس الأمريكي (ترامب) عام 2021م على نتائج الانتخابات مما أدى الى دخول أنصاره الى داخل الكونغرس الامريكي ليفرضوا رأيهم بالقوة على الحكومة، بمعنى اخر أن اتجاه العولمة لا تتجه من الغرب الى الشرق بل أيضا تتجه من الشرق الى الغرب.

## التوصيات: -

1- من اجل التغلب على التنظيمات الإرهابية ضرورة بناء شبكة من العلاقات الطيبة مع الدول التي تتبنى هذا التنظيم في دولها من اجل التسوية، كي يتم الوصول الى حلول وسط ومنها يعم السلام في جميع دول العالم.

2- وضع تسوية دائمة للاجئين في البلد المستضيف ولعل ذلك يأتي مصحوبا بطرح خيار الحصول على الجنسية في حالة اثبات أهليتهم لها، لان تضيق الخناق على اللاجئين في عدة جوانب منها الاقتصادية والمعنوية سيزيد من المخاطر السياسية والأمنية في البلدان المستضيفة للاجئين.

3- تنطبق نتائج الدراسات التي أجريت على اللاجئين التي أثبتت ان التطرف الذي يتجه اليه اللاجئين يتكون عندما يشعرون بالتهميش والاقصاء وعدم توفير الاحتياجات المادية والمعنوية، وهذا يشعر به المواطنين في الشعوب العربية من نقص في الاحتياجات المادية والمعنوية مما يجعل المواطنين يتجهون نحو التطرف واقصاء حكوماتهم التي لا تحقق طموحاتهم واعتقادهم ان الغرب نصبها عليهم بالقوة كي يسرقوا قوت يومهم.

4- ابرام اتفاقيات مع جميع الأطراف في سوريا من اجل التهدئة وانشاء حكومة ديمقراطية تضم جميع الأطراف كما في العراق لان أكثر التنظيمات توسعا وبؤرة موجودة في سوريا مما يشكل خطرا على بقية دول العالم.



## Research

### الابتزاز الالكتروني في عصر العولمة

ا. د. مها عادل محمود/العراق

كلية طب الاسنان/ جامعة بغداد

#### المقدمة:

الابتزاز بشكل عام يعني:

1- محاولة تحصيل مكاسب مادية أو معنوية من شخص أو أشخاص طبيعي أو اعتباري بالاكراه بالتهديد بفضح سر من وقع عليه الابتزاز.

او دائما 2- استغلال القوة مقابل ضعف إنسان آخر سواء كان هذا الضعف مؤقتا

3- محاولة للإكراه وسلب الارادة والحرية لايقاع الاذى الجسدي أو المعنوي الضحايا عن طريق وسائل يتفنن الجاني في استخدامها لتحقيق جرائمه الاخلاقية او المادية او كليهما

#### جريمة الابتزاز الالكتروني

ان الابتزاز الالكتروني هو اكثر نوع من أنواع الجرائم الالكترونية انتشارا في الآونة الأخيرة, خاصة في مجتمعاتنا العربية التي يصل فيها العدد الى عشرات الشكاوى لمراكز الجرائم الالكترونية اسبوعيا. بعد التطور في وسائل الاتصال و مواقع التواصل الاجتماعي أنتشرت جريمة الابتزاز الالكتروني وهي عملية تهديد وترهيب للضحية بنشر صور أو مواد فيلمية أو تسريب معلومات سرية تخص الضحية، مقابل دفع مبالغ مالية أو استغلال الضحية للقيام بأعمال غير مشروعة لصالح المبتزين كالإفصاح بمعلومات سرية خاصة بجهة العمل أو غيرها من الأعمال غير القانونية. وعادة ما يتم تصيد الضحايا عن طريق البريد الإلكتروني أو وسائل التواصل الاجتماعي المختلفة ك الفيس بوك، تويتر، وإنستغرام وغيرها من وسائل التواصل الاجتماعي نظراً لانتشارها الواسع واستخدامها الكبير من قبل جميع فئات

المجتمع. وتتزايد عمليات الابتزاز الإلكتروني في ظل تنامي عدد مستخدمي وسائل التواصل الاجتماعي والتسارع المشهود في أعداد برامج المحادثات المختلفة .

ان عملية الابتزاز الإلكتروني هي عملية الحصول على صور ومقاطع فيديو او تسجيلات صوتية ومحادثات لشخص ما يتم فيها المساس بالأموال والقضايا الجنسية في غالبية الأحيان ليتم تهديد الشخص بنشرها او تسريبها على مواقع التواصل الاجتماعي في حال لم ينصاع الشخص الى أوامر وطلبات المجرم الإلكتروني الذي يفاوضه.

هذه الأنواع من الجرائم الإلكترونية صارت أكثر انتشاراً من أي وقت مضى، وذلك يعود بالأساس الى قلة وعي مستخدمي وسائل التواصل الاجتماعي فيما يتعلق بسهولة القرصنة والحصول على المعلومات عن طريق الاختراق، إضافة الى ازدياد اعداد مواقع التواصل الاجتماعي وانتشارها بين الناس و الى استخدامها دون التطرق الى تشفير المعلومات الشخصية. وبسبب قلة الوعي لاسيما عند الفتيات والنساء عامة يتم ابتزازهن بسهولة لأن الامر يتعلق بالشرف والسمعة فنقوم المرأة بتقديم التنازلات خوفاً من الفضيحة، كذلك هناك سبب الحرمان العاطفي والمادي اللذين يكونان سبباً آخر للابتزاز. " أن العنف خاصة العنف الاسري يكون سبباً في قيام المعنف بمحاولة الانتقام وبذلك يقع فريسة هذه الجرائم، ناهيك عن السداجة عند البعض إذ يقوم بنشر أو إرسال أمور خاصة جداً من صور أو وثائق مهمة بإرادته أو عن طريق الخطأ او عبث الأطفال بهاتفه أو في حال وقوعها عند الآخرين لاي سبب تكون سبباً للابتزاز "

يكون دائماً اهداف للمبتز من خلال ابتزاز الضحية تهدف غالباً الى الحصول على المال او على اهداف جنسية من الضحية ذلك لأن المبتز يصل الى المعلومات عن طريق اختراق حسابات الضحية من خلال روابط او مواقع جنسية، او من الممكن ان يكون في مراقبة سابقة لحسابات الشخص ويبحث ما يدينه. وكوننا موجودين في مجتمعات محافظة فإن كل ما يتعلق بالجنس هو امر محرم ومن الصعب جداً تخطيه في مجتمعاتنا وداخل دوائرنا الاجتماعية. يعتبر ذلك السبب الرئيسي وراء اهتمام المبتزين بجمع معلومات جنسية واختراقات أخلاقية للضحية التي يتقصدون إسقاطها دون اهتمامهم في أمور أخرى من الممكن ان يكون تأثير خوف الضحية منه قصير الأمد او من الممكن ان يتم تخطيه.

## الاسباب التي ساعدت على تنامي ظاهرة الابتزاز الإلكتروني

- 1- ضعف الوازع الديني، نتيجة ضعف الالتزام بأحكام الاسلام وعدم اختيار الرفقة الصالحة وخوف الله ومراقبته والخوف من سوء المصير وحلول العقوبة العاجلة والاجلة.
- 2- دخول وسائل الاتصال الحديثة بصورة كبيرة في حياة الاسر خصوصاً الفضائيات وشبكة المعلومات والهواتف الجواله وتعدد خدماتها واستخداماتها التي ألغت الحواجز التي كانت تحتفظ بها الاسر.
- 3- العمالة الوافدة التي تعمل في مجالات تتعامل مع الاحتياجات اليومية للناس. وهذه العمالة منها ما يتصف بضعف الاستقامة وقلة الديانة والتي تسلك المسالك المحرمة في تعاملها مع عملائها.
- 4- بعض برامج القنوات الفضائية والاعلام الهابط، من الافلام والمسلسلات والاغاني التي تعرض في هذه الفضائيات التي توجج العواطف مما جرأ كثيراً من الشباب من الجنسين على إقامة علاقات محرمة وجعلهم يستسهلون طريق الحرام.
- 5- تقصير الاسرة في القيام بواجباتها التي خلقها الله لها مثل توجيه الابناء بالحب والمودة وتمثل القدوة الحسنة بحسن التصرف والحياء والحشمة والاحترام المتبادل .
- 6- الجهل بالامور وعدم معرفة الحقائق والمعلومات الكاملة والصحيحة عن موضوعات حساسة، مثل: الانترنت، والجوال وعدم تقدير العواقب.
- 7- عدم مراقبة الاباء لاولادهم ورعايتهم، فكل أب ينبغي أن يهتم بمطالب ذويه بطرق سليمة وحكيمة مجتنباً الشك المريب الذي تضيع معه الثقة، ولا مستسلماً للثقة العمياء.
- 8- حب التجربة والتقليد والتأثر، وأصدقاء السوء، ولاشك أن الصحبة لها دور كبير في التأثير



9- الفراغ والحرمان من المحبة والتودد: فإن من الوالدين من يحرم أولاده من الشفقة بهم وحنانهم والتودد إليهم والقرب منهم؛ مما يدفعهم إلى البحث عن ذلك خارج المنزل، ويشتد الأمر إذا كان ذلك في حق البنات.

10 - الجهل بطرق التربية الرشيدة وأساليبها الحسنة من قبل الوالدين، وبعض الأسر لا تقوم بتوعية أفرادها توعية كافية بشأن الشر الموجود في هذا العصر، مما جعل الصغار من الأحداث والمراهقين فتيانا وفتيات يعيشون في خيال سببه اغفال أسرهم جانب التنبيه على الشر واحتمالاته وطرقه ووسائله واسبابه فيقع هؤلاء الصغار بسبب حسن النية ظنا منهم ان كل من يلاقونهم هم طيبون وذوي نوايا حسنة.

11- ضعف الرقابة الأسرية، فإذا غاب جانب المتابعة والنقد والتوجيه من الوالدين أصبح من السهل على أفراد الأسرة الانحراف واتباع طرق غير سوية.

## أهم أهداف الابتزاز الإلكتروني

- الحصول على المال
- الحصول على خدمات جنسية إلكترونية
- الحصول على خدمات جنسية فعلية
- تخريب العلاقات الأسرية
- إسقاط الأشخاص لصالح طرف معادي
- إجبار الأشخاص على التعامل مع العدو

## آثار قضايا الابتزاز

- 1- نشر الجريمة في المجتمع من خلال اختراق حرمانات وخصوصيات الأشخاص من قبل بعض ضعفاء النفوس ونشرها في أوساط المجتمع .
- 2- قتل لشخصيات الضحايا وهدم حياتهم وتدمير مستقبلهم.
- 3- نشر الأمراض النفسية والجنسية .
- 4- نشر الفوضى والخوف والاضطراب وعدم الطمأنينة.

ما هي اهم الإجراءات التي يجب أن نقوم بها عند تعرضنا لحالات ابتزاز الإلكتروني؟

- عدم الرد على رسالة المبتز مهما كانت الرسالة مخيفة او تحوي صورًا حقيقية.
  - التقاط صور للرسائل التي وصلتكم من الخارج دون فتح الرسالة أو قبولها.
  - التوجه الى شخص تثق به وإخبره القصة منذ البداية لكي لا تشعر أنك وحيد ويضعف ذلك موقفك.
  - التوجه الى اقرب مركز شرطة او مؤسسة متخصصة في الجرائم الالكترونية والابتزاز وطلب مساعدتهم.
  - عدم الانصياع لطلبات المبتز وعدم إعطائه شعور الطاعة او الاستماع والانصياع لأوامره.
- اذا فعلت كل الخطوات التالية فأنت ضمنت السيطرة على الموضوع وانهاهه دون أن تخسر شيئاً، ولكن اذا اخترت الانصياع وتفضيل تنفيذ أوامره على امل ان يحذف الصور والأدلة فأنت تكون قد وقعت في كارثة حقيقية وذلك للأسباب الآتية:
- 1- لان المبتز طماع ومن المستحيل ان يكون أخلاقي وينفذ أي وعد لك من الممكن ان يساعدك.
  - 2- ان الأمور التي يطلبها المبتز يهدف من خلالها لإشباع غرائزه الجنسية ولتوفير ادلة اكثر ضدك.
  - 3- ان المبتز مجرماً بتهمة معترف بها دولياً ومن المستحيل ان يكون جيداً او يكون صادقاً وانت من المستحيل ان تكون مداناً قانونياً.
- ان المراكز المختصة توفر لك سرية تامة وتعهدا حقيقيا لتخليصك من الابتزاز دون ان تخضع للمبتز المجرم، وحتى ان ظننت انك اكثر انسان متورطاً في الحياة لا تتردد في التوجه الى مراكز المساعدة لأنه دوماً هنالك فرصة في أن نكون بخير وامان مهما جمع لنا المبتز من ادلة تديننا.

## العقوبات القانونية بحق المبتزين في العراق

نظراً لكون هذا النوع من الجرائم حديثاً -بعض الشيء- فإن القوانين التي تنظم التعامل معه تعتبر قليلة، بل ربما غير موجودة في بعض الدول..

وعن كيفية تعامل القانون مع مرتكبي جريمة الابتزاز الإلكتروني يوضح احد الخبراء القانونيين أنه "في ظل عدم تشريع قانون الجرائم الإلكترونية في العراق فإن التكييف القانوني أو الوصف القانوني

لهذه الجريمة تطبق معه المادة 452 من قانون العقوبات العراقي رقم 111 لسنة 69 التي عاقبت بالسجن مدة تصل الى 7 سنوات كل من حمل شخصاً آخر بطريق التهديد على تسليم أموال أو أشياء اخرى دون إرادته والعقوبة تصل الى 10 سنوات اذا ارتكبت الجريمة بالقوة والإكراه". وأضاف أن "عدم تشريع قانون الجرائم الإلكترونية للتعامل مع هكذا حالات وغيرها يمثل مشكلة تواجه تطبيق القانون وتطبيق العقوبات وأغلب الدول العربية المجاورة ودول العالم شرعت قوانين للجرائم الإلكترونية، والقضية أصبحت عالمية وتكرر بشكل يومي". وقد تم تطبيق إجراءات أمنية حديثة ومتطورة وقانونية مشددة بحق المبتزين في العراق فضلاً عن استمرار عمليات التوعية ما ساعد على تراجع عمليات الابتزاز الإلكتروني وأن "الوعي إزداد بفضل الندوات التثقيفية التي ترعاها الدولة لمنع حصول عمليات ابتزاز والتي تعزز بنتقيف المواطنين عن كيفية حماية حساباتهم على مواقع التواصل وتحسينها من الاختراق إذ إن من الضروري على كل مواطن أن يجعل حسابه محمياً وغالبية عملية الاختراق تتم نتيجة ضعف الحماية". كما أن "الشرطة المجتمعية لعبت دوراً كبيراً للوصول إلى الجناة، من خلال تلقيها اتصالات من الضحايا عبر الأرقام الساخنة.

## التوصيات

- 1- أن عملية الحماية تبدأ أولاً بربط الحساب برقم موبايل للمستخدم ويفضل أن لا يكون رقمه الشخصي لكي لا يكون معروفاً ويتم من خلاله الوصول للحساب في حال سرقة موبايله
- 2- إخفاء الايميل المستخدم للدخول إلى الحساب أو الرقم عن المعلومات الظاهرة في الحساب، ويفضل أن لا يكون الايميل هو نفس الايميل الشخصي للأسباب ذاتها علماً بان "كل الحسابات معرضة للاختراق في حال كان رقم الموبايل المربوط معه الحساب معروفاً وكذلك الإيميل، ويجب تفعيل خاصية المصادقة الثنائية للايميل وحساب موقع التواصل كي يمنع المخترق من إمكانية الدخول إذ ان هذه الخاصية تشترط إدخال رمز سري يصل للمستخدم إلى رقم الموبايل في حال كان هناك من يحاول الدخول لحسابه".



- 3- القيام بعمليات التوعية من قبل المدارس والاعلام وعقد الندوات التوعويه حول الابتزاز الالكتروني ومخاطره وكيفية التعامل عند التعرض للابتزاز الالكتروني.
- 4- مراقبة الابناء والتعرف على اصدقائهم واسدائهم النصح المستمر.
- 6- تعريف الابناء بخطر تصفح المواقع المجهوله والتعامل مع الغرباء على مواقع التواصل الاجتماعي والانعكاسات السلبية للابتزاز الالكتروني.

## Research

### تمكين المرأة... الفرص والتحديات

**الدكتورة :- مريم هاشم حمد البديري / العرق**

التخصص/ دكتوراه في العلوم التربوية والنفسية

مكان العمل / كلية الامام الكاظم (ع) فرع واسط

**الملخص:-**

ان موضوع تمكين المرأة في القرن الحالي من القضايا الساخنة في العالم ، فالمرأة العصرية تبحث عن فرص متساوية مع الرجل ويتنافس الاثنان بقوة في مختلف المجالات مثل السياسة والاقتصاد والقطاعات الاجتماعية الاخرى ، كما ظهرت العديد من نتائج البحوث التي تؤكد ان المرأة تقف اليوم على قدم المساواة مع الرجل ، وهذه الحقيقة لا يمكن انكارها ، بالاضافة الى ان بعض النساء افضل بكثير من الرجال عندما يتعلق الامر ببعض القضايا ، فالنساء التي يساهمن في التنمية والتمكنات في وضع بلادهن الاقتصادي والاجتماعي والسياسي ، وتشكل النساء حوالي 50% من سكان العالم ، كما يمثلن العمود الفقري لتنمية بلادهن ، ومن جانب اخر ووفقاً للمركز الامريكي للمرأة القيادية فان الدمج الكلي للمرأة في الحياة الاقتصادية للدولة هو امر أساسي بالنسبة لرفاهية المجتمع ، ومع ذلك فلا يزال هذا الامر غير ملتقناً اليه بدرجة ما.

ان تمكين المرأة يعزز ثققتها بنفسها ويحسن وضعها في المجتمع لتكون بوضع مقارب لوضع الرجل في المجتمع ، فاذا مكنت المرأة فان هذا يعكس على زيادة الانتاجية الكلية للدولة ، ان تمكين المرأة يتكون من خمس مكونات هي :-

وفي ضوء ما تقدم في هذا البحث توصل الى الاستنتاج بان هناك بعدان للتمكين ، الاول داخلي وهو التمكين النفسي وهو سابق على البعد الاخر والثاني خارجي يشمل انواع متعددة من التمكين كالتمكين الاقتصادي والاجتماعي والسياسي والقانوني والتربوي والبيئي والصحي، وان كلا البعدين يتطلبان تدخلاً



خارجياً لمساعدة المرأة مع ضرورة توافر الرغبة الكاملة لديها، واستناداً الى ذلك كله تم التركيز على التمكين النفسي لدى النساء على وجه الخصوص .

## أهمية والمشكلة

ظهر مفهوم تمكين المرأة Empowerment في الربع الاخير من القرن الماضي تقريباً كونه أحد المفاهيم الادارية المعاصرة والذي يعطي اهتماماً اكبر الى دور الموارد البشرية في المنظمات ، وتقوم فكرة التمكين على توجه الادارات العليا الى منح الثقة والحرية والسلطة للتصرف لدى المرؤوسين في مجال أعمالهم ، اذ ان هذا الاجراء يولد شعوراً بالاهمية والكفاءة وتحمل المسؤولية ومن ثم سوف يخلق لدى المرؤوسين شعوراً ودافعاً ذاتياً وادراكاً ايجابياً نحو العمل ( ابا زيد ، 2012، ص499).

وظهر مصطلح التمكين في علم النفس المجتمعي Community Psychology واقترن مع العالم الاجتماعي (جوليان رابابورت ( Julian Rappaport,1981 )

كما ان الفكرة تضع تأكيداً على الحقوق Rights والقدرات Abilities بدلاً من التركيز على نواحي العجز والاحتياج لدى كل من الافراد والمجتمعات على حد سواء (Aujoul&hoorre&Deccache,2006,p8) وفي التسعينات ، عد ميثاق اوتاراً لتعزيز الصحة كما ان التمكين قضية اساسية في نظرية لتعزيز الصحة والذي ركز على التعزيز والذي ركز على تعزيز الصحة.

والتمكين لا ينطبق بالضرورة على النساء فقط ، بل يشمل جميع الافراد والجماعات المستضعفة او المهمشة في المجتمع ، ولكن ارتبط مفهوم التمكين في دراسات التنمية بالنساء ( الكتبي واخرون ، 2010،ص42).

كما ان اهمية تمكين المرأة يبرز من ان القوى العاملة النسوية الممكنة تكون محفزة للمساهمة في الاستراتيجيات المبتكرة في المؤسسة ، وتكون قادرة على تحديد ادوار العمل ويشعرون بالقدرة على انجاز مهام مرتبطة بالعمل وقادرات على التأثير في عملية اتخاذ القرار في مكان العمل ، وتشير ادبيات التمكين الى ان المؤسسات التي تعمل على تمكين الموظفين أظهرت زيادة في انتاجيتها ومستوى عال من الرضا الوظيفي ومستوى عال من الالتزام بالمؤسسة وتقليل الاجهاد والتوتر والقليل من متلازمة الارهاق ،

فضلا عن ذلك كله تظهر اهمية تمكين المرأة كونها مهمة في استراتيجية مكافحة واستئصال الفقر في البلدان عموماً (Mishra,2016,p226).

## 1- تحديد المصطلحات:-

### اولاً:- التمكين Empowerment

أ- التمكين لغةً:- هو التقوية والتعزيز او الترسيخ او التثبيت، ويقال (مكن من الشيء) بمعنى جعل له عليه سلطانا وقدرة (النعلبي، 2008، ص585).

والتمكين في اللغة الانكليزية:- ورد في معجم (وبستر) بمعنى منح السلطة الرسمية او القوة القانونية او اعطاء قوة شرعية لشخص ما لذلك نجد ان تطبيق التمكين في اي منظمة يتطلب مشاركة طرفين هما مانح القوة القائد والممنوحة له القوة وهو العامل ( جرادات واخرون، 2013، ص68).

ب- التمكين اصطلاحاً:- وردت تعريفات عديدة منها:-

ت- تعريف هاند 1995:hand:- التمكين على انه تحرير كامل القوة الكامنة لكل فرد (hand,1995,p36).

ث- تعريف العديلي، 2008م :- عملية اتاحة الفرصة للاخرين في زيادة قدراتهم الجماعية وتقديم افضل مآلديهم ، وهو استثمار قدرات ومواهب الاخرين واشعارهم بأهميتهم لاثراء العمل الوظيفي ( العديلي، 2008م ،ص1).

### ثانياً:- تمكين المرأة Women'S Empowerment

وضعت تعريفات عديده منها

أ- تعريف (كلر ومبويوي، 1991):- هو عملية تصبح بموجبها المرأة قادرة على تنظيم نفسها لزيادة اعتمادها على نفسها ، وتأكيد حقها المستقل في الاختيار والتحكم في الموارد التي ستساعد في تحدي والغاء اخضاعها (Varghese,2011,p37).

معطيات عملية التمكين:-

تتكون عملية التمكين من ثلاث معطيات هي:-

- 1- **الموارد Resources :-** مثل العمل والتعليم وتعد هذه العناصر التمكين اي ان وجودها ضروري وبدونها لا يمكن ان نتحدث عن عملية التمكين.
- 2- **العامل البشري :-** وهو محور عملية التمكين ومن خلاله تتم عملية الاختيار واتخاذ القدرات .
- 3- **النتائج او الانجازات :-** والتي تتمثل في المكاسب السياسية والاقتصادية والاجتماعية التي تجنيها المرأة وهي بمثابة المؤشرات التي يمكن على اساسها قياس نجاح عملية التمكين ( ملحم ، 2006،ص42).

وتكمن المشكلة في صعوبة قياس التمكين ،اذ انه عملية كما اشرت الى ذلك اعلاه ، ومن الممكن قياس نتائج عملية التمكين ولكن يحدث احيانا خلط بين النتائج والموارد ، اذ ان حصول المرأة على عمل مثلا قد يكون مورداً او ناتجا لعملية التمكين ،ولذلك يجب اختيار مؤشرات التمكين بدقة وبحسب السياق ولكن داخل الاطار الاوسع لحقوق المرأة بمعنى انه يجب التسليم بان هناك معايير دولية لا يمكن التهاون فيها مثل العنف ضد المرأة وهو شيء مرفوض بغض النظر عن السياق او الثقافة (الكتبي واخرون ، 2010م، ص42).

ان تمكين المرأة يعزز ثققتها بنفسها ويحسن وضعها في المجتمع لتكون بوضع مقارب لوضع الرجل في المجتمع ، فاذا مكنت المرأة فان هذا ينعكس على زيادة الانتاجية الكلية للدولة ، ان تمكين المرأة يتكون من خمس مكونات هي :-

- 1- احساس المرأة بقيمة الذات .
- 2- ان يكون لها الحق بالاختيار.
- 3- ان يكون لها الحق بامتلاك الفرص والموارد
- 4- ان يكون لها الحق بامتلاك القوة للسيطرة على حياتها داخل وخارج المنزل.
- 5- ان يكون لها القدرة على التأثير في اتجاه التغيير الاجتماعي لخلق نظام اقتصادي واجتماعي اكثر عدالة وعلى الصعيدين الوطني والدولة (Mishra,2016,p224).

وقد اظهر (ناراينان narayanan) ان هناك جملة من المبادئ لتمكين المرأة هي :-

- 1- معاملة جميع النساء والرجال بعدل في العمل.
- 2- احترام ودعم حقوق الانسان وعدم التمييز.

- 3- ضمان صحة وسلامة ورفاهية جميع النساء العاملين.
- 4- تعزيز التعليم والتدريب والتطوير المهني للمرأة.
- 5- تنفيذ تطوير المشاريع وسلسلة التوريد وممارسات التسويق التي تمكن المرأة.
- 6- تعزيز المساواة من خلال المبادرات المجتمعية والدعوة.
- 7- قياس التقدم المحرز في تحقيق المساواة بين الجنسين والابلاغ عنه علانية.
- 8- تنفيذ ادماج المرأة في التنمية في القطاع الخاص.
- 9- تطبيق العدالة التوزيعية في ادارة المكافآت والتعويضات.
- 10- ادارة الاداة المناسبة
- 11- اجراء التدقيق في مكان العمل.
- 12- توفير ساعات عمل مرنة .
- 13- توفير تدريبات داخلية متساوية .
- 14- اعتماد وتكييف مبادئ تمكين المرأة في اطار هيئة الامم المتحدة للمرأة.
- 15- من خلال ما تقدم يصبح تمكين المرأة هدفا يمكن تحقيقه (Narayanan,2017,p94).

## انواع تمكين المرأة

هناك محاولات مختلفة في الادبيات لتطوير فهم شامل للتمكين من خلال تقسيم العملية الى مكونات رئيسية ، وتقتصر الاطر التي قدمها العديد من الباحثين ان تمكين المرأة يجب ان يحدث وفقا للابعاد الاقتصادية والاجتماعية والثقافية والشخصية والقانونية والسياسية والنفسية، ومع ذلك فان هذه الابعاد واسعة النطاق للغاية وداخل كل بعد هناك مجموعة من المجالات الفرعية التي يمكن من خلالها تمكين المرأة (Varghese,2011,p40).

### 1- التمكين الاقتصادي:-

ويتم هذا التمكين عن طريق النصيب النسبي لكل من الرجل والمرأة في مختلف الوظائف .

### 2- التمكين الاجتماعي:-

يرى دعاة هذا التمكين ان تمارس المرأة جميع صلاحياتها وقدراتها بغية بناء ثقافة اجتماعية.

### 3- التمكين السياسي:-

وحسب آراء الداعين لهذا النوع من التمكين فإنه يقاس بعدد المقاعد البرلمانية المتوافرة أو المتاحة للرجال.

#### 4- التمكين القانوني:-

يركز هذا المجال على مجموعة القوانين والتشريعات التي تتعامل مع المرأة على أساس المواطنة القائمة على المساواة.

#### 5- التمكين التربوي:-

ويركز على أهمية ادخال مفاهيم النوع الاجتماعي وعدم التمايز الجنسي في المناهج الدراسية والتوسع في فتح دور الحضانه ورياض الاطفال.

#### 6- التمكين البيئي:-

يتمثل في هذا النوع بضرورة مشاركة المرأة للجهات المعنية في بعض برامج حماية البيئة لرفع مستوى الوعي البيئي.

#### 7- التمكين الصحي:-

وينطوي هذا البعد على الاهتمام بصحة المرأة والتزامها بتوصيات المؤتمر العالمي للسكان عام 1994م ومؤتمر بكين 1995.

#### 8- التمكين النفسي:-

ان التمكين النفسي هو مزيج او توليفة من تقدير الذات وكفاية الذات وحرية الارادة والثقة بالنفس والوعي بالذات والتفكير الايجابي وهو بالنهاية يقود الى السعادة.

#### الاستنتاجات والتوصيات والمقترحات

#### اولا:- استنتاجات البحث:-

من خلال ما تم عرضه في البحث الحالي يمكن الوصول الى الاتي :-

1- ان تمكين المرأة هو احد اهم اهتمامات القرن الحالي ليس على المستويات الوطنية

فحسب بل على المستوى الدولي ايضا.

2- يمكن الاستنتاج مما ورد في البحث ان التمكين له بعدان الاول داخلي وهو التمكين

الذاتي او النفسي وهو سابق على البعد الاخر والثاني خارجي يشمل انواع متعددة

منها التمكين الاقتصادي والاجتماعي والسياسي والقانوني والتربوي والبيئي

والصحي، وان كلا البعدين يتطلبان تدخلا خارجيا لمساعدة الفرد بشرط توفر الرغبة لديه للقيام بذلك.

3- ان التمكين هو ليس سمة شخصية مستمرة ثابتة يمكن تعميمها عبر المواقف، بدلا من ذلك هو مجموعة من الادراكات التي تتشكل في بيئة العمل، ولهذا فان التمكين يعكس المد والجزر المستمرين في ادراكات الافراد حول انفسهم فيما يخص بيئة العمل .

4- ان التمكين هو متغير مستمر بمعنى اننا يمكن ان ننظر للنساء على انهن اقل او اكثر تمكينا وليس على انهن ممكنين او غير ممكنين (اي ان الفرق هو فرق كمي).

5- ان التمكين هو ليس بناء كلي او شامل يمكن تعميمه عبر المواقف والادوار الحياتية المختلفة بل بدلا من ذلك هو محدد بميدان العمل.

6- ان ابرز فرص تحقيق تمكين المرأة هي التغيير في حركة المرأة والتفاعل الاجتماعي والتغيير في انماط عمل المرأة والتغيير في وصول المرأة الى الموارد والتحكم بها.

## التوصيات

في ضوء ما تقدم نوصي بإمكانية الافادة من المادة النظرية التي قدمت في البحث الحالي لرسم سياسات خاصة بتمكين المرأة العربية عامة والمرأة العراقية خاصة ، ولاسيما فيما يخص بالتمكين النفسي لها.

## المقترحات

استكمالاً لما تم تقديمه نقتراح اجراء دراسة تطبيقية احصائية لتحديد التقدم المحرز في مجالات تمكين المرأة العراقية وبحسب المجالات التي عرضت انفاً.

## المصادر

- 1- ابا زيد، رياض، 2010م ، اثر التمكين النفسي على سلوك المواطنة للعاملين في مؤسسات الضمان الاجتماعي في الاردن ، مجلة جامعة النجاح للأبحاث للعلوم الانسانية ، المجلد 24 الاصدار 2.
- 2- البعلبكي، روجي، 2008م ، المورد الثلاثي عربي- فرنسي- انكليزي ، دار العلم للنشر والتوزيع، ط1، لبنان ، ص585.



- 3- الكتبي ، ابتسام ، منصور ، رشا المعاينة ، واخرون، 2010م ، النوع الاجتماعي وابعاد تمكين المرأة في الوطن العربي، منظمة المرأة العربية ، القاهرة.
- 4- جرادات ، ناصر محمد والمعاني ، احمد اسماعيل وهاشم ، طارق نائل ، 2013م ، اثر التمكين الهيكلية في تحقيق التمكين النفسي للعاملين في المنظمات الاردنية العامة ، مجلة جامعة الخليل للبحوث، المجلد 18 العدد (1) ، ص 63-89.

## المصادر الاجنبية

- 1- Narayanan, Silvi, 2017, challenges of Women empowerment in a private organization in Malaysia, International Journal for Studies on children, Women Elderly And Disabled, Vol, p128-309
- 2- Mishra, Gunman, 2016, The psychological facets of women Empowerment at workplace International Journal of Recent Trends in Engineering Research, Vol, 2 Issue 11, November.



# GOIDI AMERICAN JOURNAL



**GOIDI American Center  
for International Events  
GACIE**



**G  
O  
I  
D  
I**

**PARTNERS  
GROUP OF GOIDI**

**Global Universal Innovations INC.  
Development. Investment**

**GOIDI**  
GLOBAL UNIVERSAL INNOVATIONS, INC.  
DEVELOPMENT . INVESTMENT  
USA DELAWARE FILE 7621499



[www.goidi-usa.org](http://www.goidi-usa.org)





**GOIDI AMERICAN JOURNAL**



**THE SLOGANS  
OF THE AMERICAN GOIDI GROUP OF FOUNDATIONS**



GLOBAL UNIVERSAL INNOVATIONS, INC.  
DEVELOPMENT . INVESTMENT  
USA DELAWARE FILE 7621499





## GOIDI AMERICAN JOURNAL



### LINKS

<https://www.facebook.com/GOIDIORG/>

<https://www.facebook.com/GOIDI.INVENTION>

<https://www.facebook.com/itlc.leaders/>

[مجلة-جویدی-الأمريكية-للأبحاث-العلمية-](https://www.facebook.com/-مجلة-جویدی-الأمريكية-للأبحاث-العلمية-)

[مجلة-جویدی-الأمريكية-للأبحاث-الانسانية-](https://www.facebook.com/-مجلة-جویدی-الأمريكية-للأبحاث-الانسانية-)

[مجلة-جویدی-الأمريكية-للاختراع-والتنمية-والاستثمار-111565330477402](https://www.facebook.com/-مجلة-جویدی-الأمريكية-للاختراع-والتنمية-والاستثمار-111565330477402)

[www.goidi-usa.org/journal](http://www.goidi-usa.org/journal)

[https://t.me/Everest\\_org](https://t.me/Everest_org)

<https://m.me/GOIDI.INVENTION>

<http://m.me/GOIDIorg>

[linkedin / everestorganization1@gmail.com](https://www.linkedin.com/in/everestorganization1@gmail.com)

<https://www.linkedin.com/in/everestinvent>

[https://twitter.com/GOIDI\\_ORG](https://twitter.com/GOIDI_ORG)

[https://www.instagram.com/goidi\\_org](https://www.instagram.com/goidi_org)



**Goidi American Journal**



ISSN 2694-5606 (online)

ISSN 2694-5460 (print)



# The American Journal of Human Research

مجلة دولية محكمة  
**First EDITON**

**Issued from USA**

**Global Universal Innovations Inc.**  
Development. Investment  
Chairman  
**DR. IBRAHEM ALYASEN**



[www.goidi-usa.org](http://www.goidi-usa.org)



**Goidi American Journal**

  
**Journal**  
Goidi American Journal  
of Innovation Development and Investment  
GOIDI INTERNATIONAL GROUP OF INSTITUTION

ISSN 2694-5606 (online)

ISSN 2694-5460 (print)

  
**Journal**  
Goidi American Journal  
of Innovation Development and Investment  
GOIDI INTERNATIONAL GROUP OF INSTITUTION

  
**G O I D I**  
GLOBAL UNIVERSAL INNOVATIONS, INC.  
DEVELOPMENT . INVESTMENT  
USA DELAWARE FILE 7621499

# The American Journal

of Administration and Economics

مجلة دولية محكمة

Issued from USA

**Global Universal Innovations Inc.**  
Development. Investment  
Chairman

**DR. IBRAHEM ALYASEN**



[www.goidi-usa.org](http://www.goidi-usa.org)



**GOIDI AMERICAN JOURNAL**



ISSN 2694-5606 (online)

ISSN 2694-5460 (print)



# The American Journal of Scientific Research

مجلة دولية محكمة

**Issued from USA**

**Global Universal Innovations Inc.**  
Development. Investment  
Chairman

**DR. IBRAHEM ALYASEN**





# GOIDI AMERICAN JOURNAL

